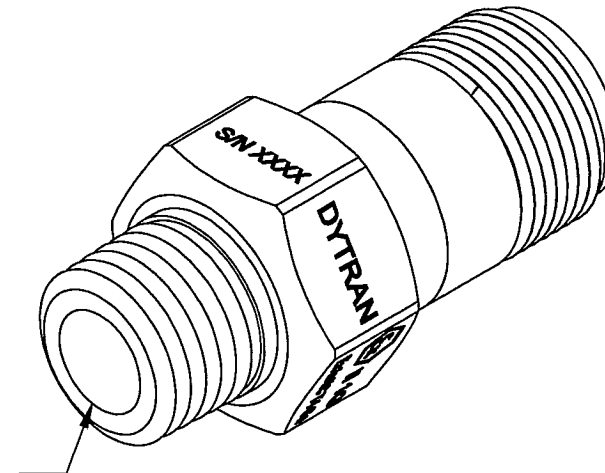
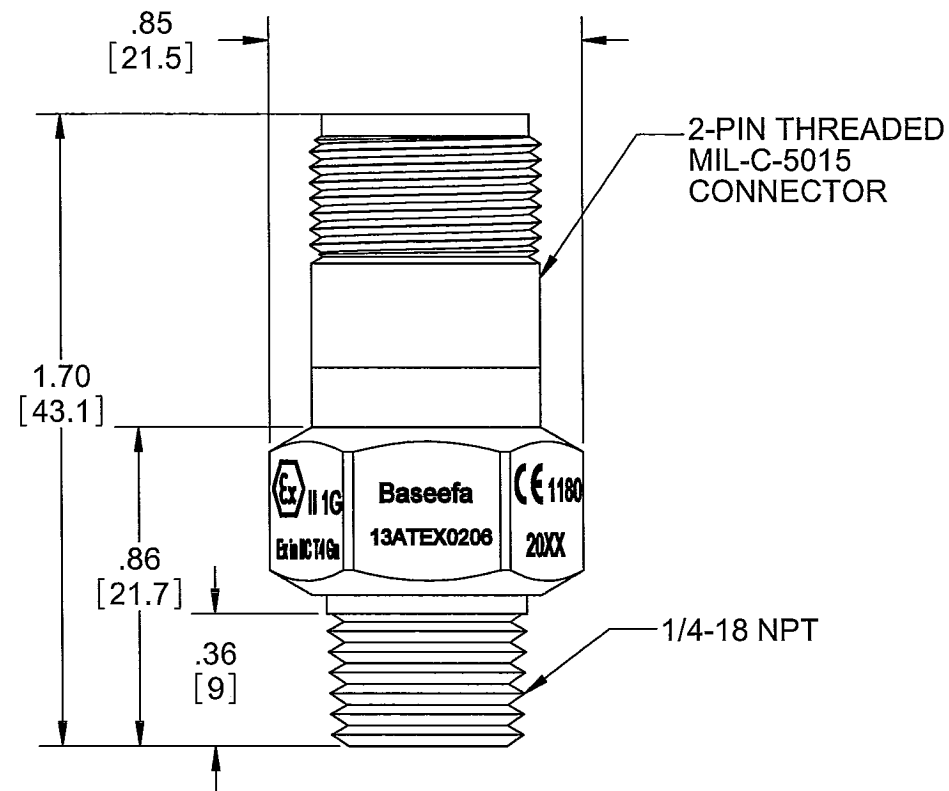
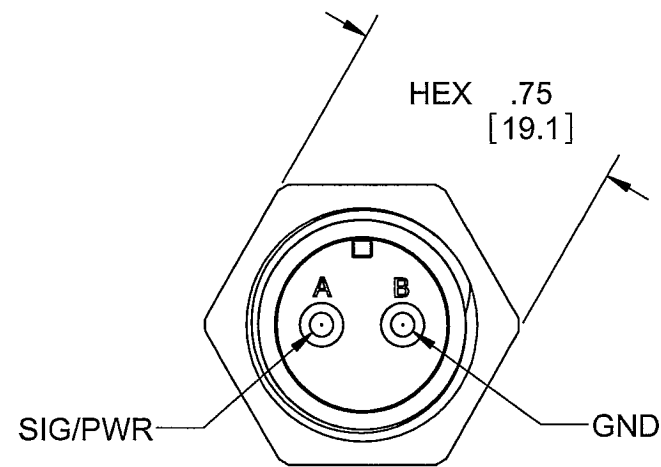


PROPRIETARY AND CONFIDENTIAL

THE INFORMATION CONTAINED IN THIS DRAWING IS THE SOLE PROPERTY OF DYTRAN INSTRUMENTS INC. ANY REPRODUCTION IN PART OR AS A WHOLE WITHOUT THE WRITTEN PERMISSION OF DYTRAN INSTRUMENTS INC. IS PROHIBITED

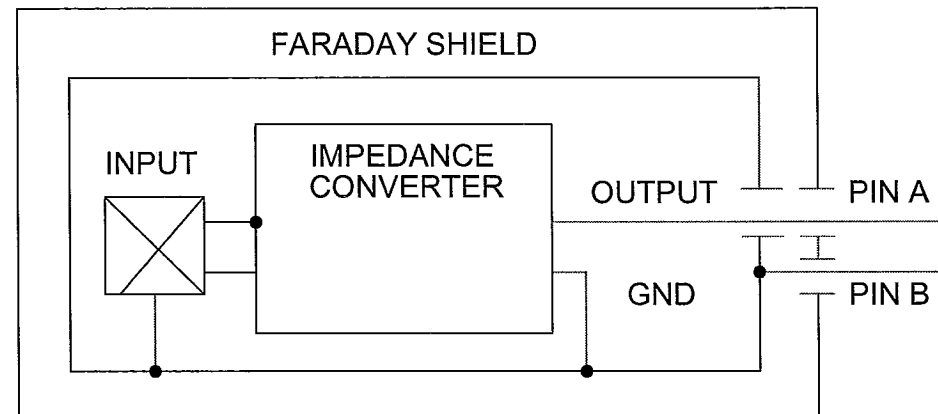
REVISIONS

REV.	ECN	DESCRIPTION	BY/DATE	CHK	APPR
A	5698	INITIAL RELEASE	01/26/09	ANS	DV
B	5351	UPDATED FORMAT	RA, 07/28/10	EP	DV
C	10439	ADDED SCHEMATIC, NOTES 3 & 4, CONFIGURATION CONTROL STAMP, AND ATEX MARKING	AB 10/02/13		



SENSING DIAPHRAGM
φ .31
[φ 7.9]

MODEL	SENSITIVITY
2006V1	10mV/PSI
2006V2	50mV/PSI
2006V3	100mV/PSI



SCHEMATIC DIAGRAM

NO CHANGES ALLOWED
WITHOUT CONSENT OF
CONFIGURATION CONTROL BOARD
DYTRAN INSTRUMENTS, INC.

ENG QA

4. TOTAL SENSOR CAPACITANCE, Ci (PIEZO ELEMENT PLUS CIRCUIT CAPACITORS): 18 pF MAXIMUM. SENSOR CONTAINS NO INDUCTIVE COMPONENTS.

3. IMPEDANCE CONVERTER HAS NO VOLTAGE ENHANCING/GENERATING PARTS.

2. MATERIAL: HOUSING/DIAPHRAGM - 316L
CONNECTOR - 304L

1. CASE TO GROUND PIN ISOLATION >100MΩ

NOTES: UNLESS OTHERWISE SPECIFIED

<p>UNLESS OTHERWISE SPECIFIED: INTERPRET DIM & TOL PER ASME Y14.5M - 1994. REMOVE BURRS. COUNTERSINK INTERNAL THDS 90° TO MAJOR DIA. CHAM EXT THDS 45° TO MINOR DIA. THD LENGTHS AND DEPTHS ARE FOR MIN FULL THDS. DIMENSIONS APPLY AFTER FINISHING.</p> <p>ALL MACHINED SURFACES. TOTAL RUNOUT WITHIN .005. BREAK SHARP EDGES .005 TO .010. MACHINED FILLET RADII .005 TO .015. WELDING SYMBOLS PER AWS A2.4. ABBREVIATIONS PER MIL-STD-12.</p>	<p>UNLESS OTHERWISE SPECIFIED: DIMENSIONS ARE IN INCHES. TOLERANCES ARE:</p> <p>DECIMALS .XX ±.01 .XXX ±.005</p> <p>ANGLES ±1°</p>		<p>DYTRAN INSTRUMENTS, INC. Chatsworth, CA</p> <p>MASTER ONLY IF IN RED</p>	
	<p>APPROVALS</p> <p>ORIG DV 04/28/08</p> <p>CHK ANS 01/27/09</p> <p>APP DV 01/27/09</p>		<p>DATE</p> <p>01/27/09</p>	
	<p>DO NOT SCALE DRAWING</p>		<p>THIRD ANGLE PROJECTION</p>	
	<p>SIZE B</p> <p>CAGE CODE 2W033</p> <p>SCALE: 2:1</p>		<p>DWG NO 127-2006V</p> <p>REV C</p> <p>SOLIDWORKS SHEET 1 OF 1</p>	

MODEL NUMBER 2006V2	PERFORMANCE SPECIFICATION	DOC NO. PS2006V2
--------------------------------------	----------------------------------	-----------------------------------

	DYNAMIC PRESSURE SENSOR, IEPE	REV F, ECN 13202, 12/22/16
--	--------------------------------------	----------------------------



- **HIGH SENSITIVITY**
- **ACCELERATION COMPENSATION**
- **ELECTRICALLY ISOLATED HOUSING**

PHYSICAL

Weight, Max
Mounting Provision
Connector
Diaphragm Material

ENGLISH		SI	
	2.3	oz	65
	1/4-18 MNPT		1/4-18 MNPT
	MIL-C-5012, 2 PIN		MIL-C-5012, 2 PIN
	316L		316L

PERFORMANCE

Sensitivity +/- 10%
Range F.S for +/- 5 volts peak out
Maximum Pressure
Equivalent Electrical Noise (Resolution)
Mounted Resonant Frequency
Frequency Response, +/- 10%
Minimum Rise Time of Input Pulse
Discharge Time Constant
Linearity [1]
Lower -3db Frequency
Acceleration Sensitivity, Axial Direction

50		mV/psi	7.2×10^3		mV/Pa
+/-100		psi	689476		Pa
8000		psi	5.5×10^4		Pa
0.0014		psi	9.65		Pa
>50000		Hz	>50000		Hz
2 to 5000		Hz	2 to 5000		Hz
2		µsec	2		µsec
0.17 to 0.5		sec	0.17 to 0.5		sec
+/-1		Hz	+/-1		%F.S
1		Hz	1		Hz
0.002		psi/g	0.014		Kpa/g

ENVIRONMENTAL

Maximum Vibration
Maximum Shock
Temperature Range
Thermal Coefficient Of Sensitivity
Environmental Seal
Power/Sig Ground Isolation, Min

3000		g rms	3000		g rms
10000		g pk	10000		g pk
-40 to +250		°F	-40 to +121		°C
0.03		% / °F	0.02		% / °C
Hermetic			Hermetic		
100		MΩ	100		MΩ

ELECTRICAL

Excitation Voltage Range
Excitation Current Range [2]
Output Impedance NOM
Output Bias Voltage, NOM.
Output Signal Polarity

18 to 30		VDC	18 to 30		VDC
2 to 20		mA	2 to 20		mA
100		Ω	100		Ω
7.5 to 9.5		VDC	7.5 to 9.5		VDC
Positive			Positive		

This family also includes:

Model	Sensitivity (mV/psi)	Range (psi pk)	Resolution (Grms)	Oper. Temp(°F)	TC (Sec)
2006V1	10	500	0.007	-40 to +250	0.17 to 0.5
2006V3	100	50	0.0007	-40 to +250	0.17 to 0.5

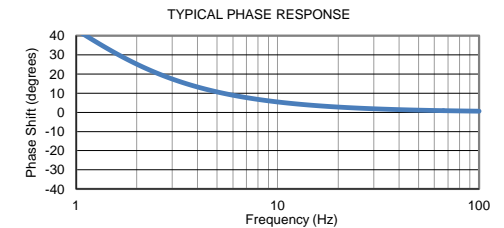
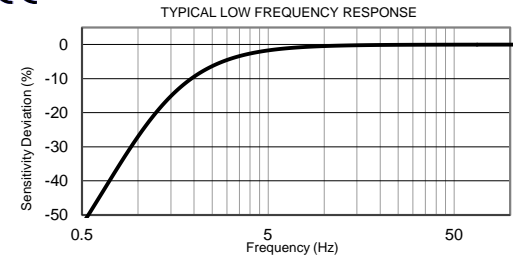
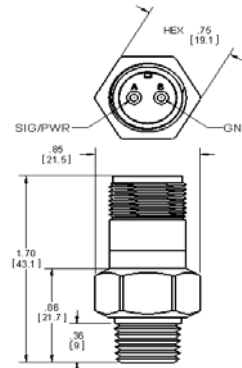
Please, refer to the performance specifications of the products in this family for detailed description.

Notes:

- [1] Percent full scale, zero based fit straight line method.
- [2] From constant current type power unit only. This sensor **MUST NOT BE CONNECTED** to a DC power source without current limiting, 20mA Maximum.
- [3] A calibration certificate traceable to NIST is supplied with each instrument.
- [4] In the interest of constant product improvement, we reserve the right to change the specification without notice

CERTIFICATIONS:

ATEX Ex II 1G Ex ia IIC T4 Ga (marked on each microphone)
Baseefa13ATEX0206(marked on each microphone)
CE certified (marked on each microphone) **CE**



Units on the line drawing are in inches, units in brackets are in millimeters. Refer to 127-2006V for more information.



21592 Marilla Street, Chatsworth, California 91311 Phone: 818.700.7818 Fax:818.700.7880
www.dytran.com For permission to reprint this content, please contact info@dytran.com