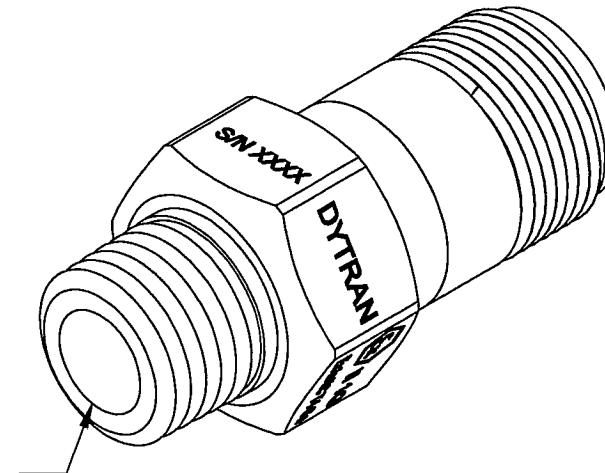
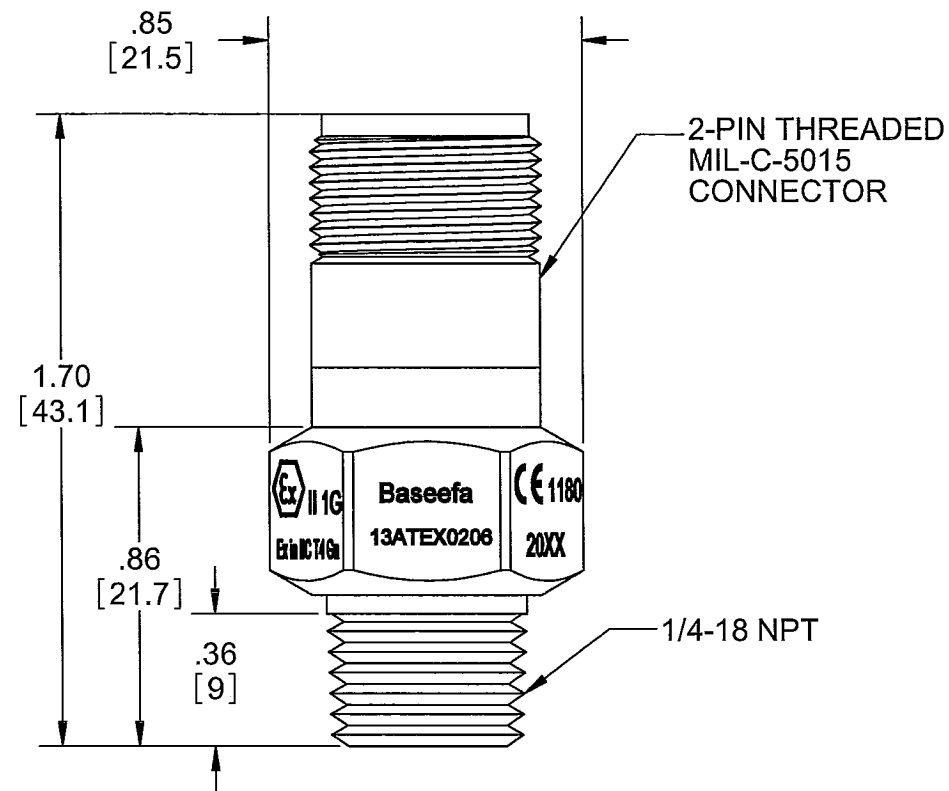
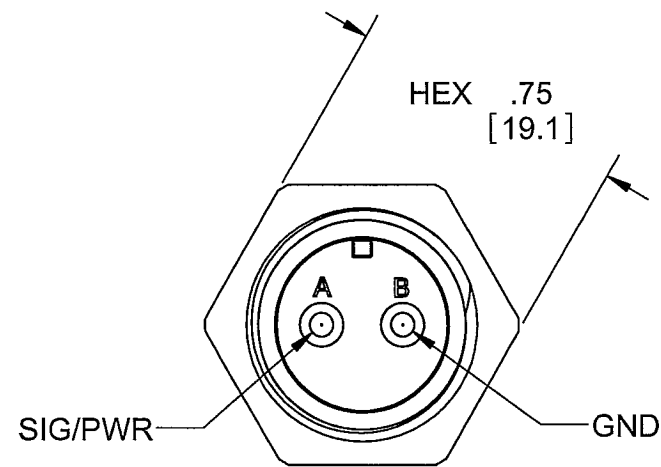


PROPRIETARY AND CONFIDENTIAL

THE INFORMATION CONTAINED IN THIS DRAWING IS THE SOLE PROPERTY OF DYTRAN INSTRUMENTS INC. ANY REPRODUCTION IN PART OR AS A WHOLE WITHOUT THE WRITTEN PERMISSION OF DYTRAN INSTRUMENTS INC. IS PROHIBITED

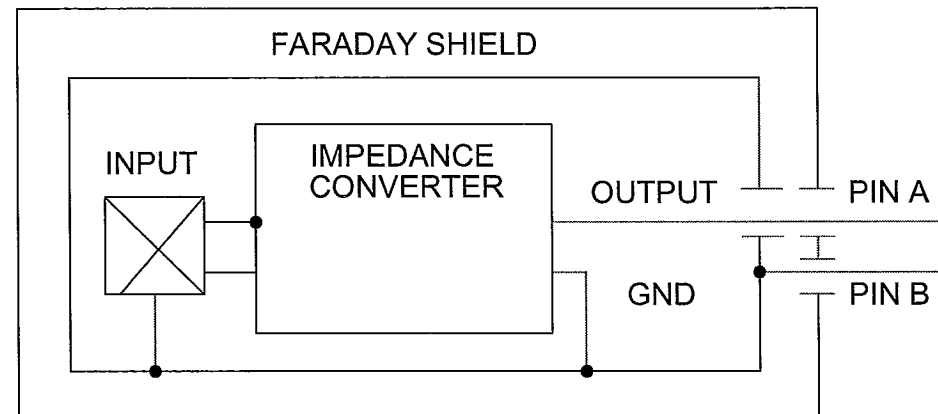
REVISIONS

REV.	ECN	DESCRIPTION	BY/DATE	CHK	APPR
A	5698	INITIAL RELEASE	01/26/09	ANS	DV
B	5351	UPDATED FORMAT	RA, 07/28/10	EP	DV
C	10439	ADDED SCHEMATIC, NOTES 3 & 4, CONFIGURATION CONTROL STAMP, AND ATEX MARKING	AB 10/02/13		



SENSING DIAPHRAGM
φ .31
[φ 7.9]

MODEL	SENSITIVITY
2006V1	10mV/PSI
2006V2	50mV/PSI
2006V3	100mV/PSI



SCHMATIC DIAGRAM

NO CHANGES ALLOWED
WITHOUT CONSENT OF
CONFIGURATION CONTROL BOARD
DYTRAN INSTRUMENTS, INC.

ENG QA

4. TOTAL SENSOR CAPACITANCE, Ci (PIEZO ELEMENT PLUS CIRCUIT CAPACITORS): 18 pF MAXIMUM. SENSOR CONTAINS NO INDUCTIVE COMPONENTS.

3. IMPEDANCE CONVERTER HAS NO VOLTAGE ENHANCING/GENERATING PARTS.

2. MATERIAL: HOUSING/DIAPHRAGM - 316L
CONNECTOR - 304L

1. CASE TO GROUND PIN ISOLATION >100MΩ

NOTES: UNLESS OTHERWISE SPECIFIED

<p>UNLESS OTHERWISE SPECIFIED: INTERPRET DIM & TOL PER ASME Y14.5M - 1994. REMOVE BURRS. COUNTERSINK INTERNAL THDS 90° TO MAJOR DIA. CHAM EXT THDS 45° TO MINOR DIA. THD LENGTHS AND DEPTHS ARE FOR MIN FULL THDS. DIMENSIONS APPLY AFTER FINISHING.</p> <p>ALL MACHINED SURFACES. TOTAL RUNOUT WITHIN .005. BREAK SHARP EDGES .005 TO .010. MACHINED FILLET RADII .005 TO .015. WELDING SYMBOLS PER AWS A2.4. ABBREVIATIONS PER MIL-STD-12.</p>	<p>UNLESS OTHERWISE SPECIFIED: DIMENSIONS ARE IN INCHES. TOLERANCES ARE:</p> <p>DECIMALS .XX ±.01 .XXX ±.005</p> <p>ANGLES ±1°</p>		<p>DYTRAN INSTRUMENTS, INC. Chatsworth, CA</p> <p>MASTER ONLY IF IN RED</p>	
	<p>APPROVALS</p> <p>ORIG DV 04/28/08</p> <p>CHK ANS 01/27/09</p> <p>APP DV 01/27/09</p>		<p>DATE</p> <p>01/27/09</p>	
	<p>DO NOT SCALE DRAWING</p>		<p>THIRD ANGLE PROJECTION</p>	
	<p>SIZE B</p> <p>CAGE CODE 2W033</p> <p>SCALE: 2:1</p>		<p>DWG NO 127-2006V</p> <p>REV C</p> <p>SHEET 1 OF 1</p>	

MODEL NUMBER 2006V3	PERFORMANCE SPECIFICATION	DOC NO. PS2006V3
--------------------------------------	----------------------------------	-----------------------------------

	DYNAMIC PRESSURE SENSOR, IEPE	REV F, ECN 13202, 12/22/2016
--	--------------------------------------	------------------------------



- **HIGH SENSITIVITY**
- **ACCELERATION COMPENSATION**
- **ELECTRICALLY ISOLATED HOUSING**

PHYSICAL

	ENGLISH		SI
Weight, Max	2.3	oz	65
Mounting Provision	1/4-18 MNPT		1/4-18 MNPT
Connector	MIL-C-5015, 2 PIN	Type	MIL-C-5015, 2 PIN
Diaphragm Material	316L	Material	316L

PERFORMANCE

Sensitivity +/- 10%	100	mV/psi	1.45E-02	mV/Pa
Range F.S for +/- 5 volts peak out	+/-50	psi	344738	Pa
Maximum Pressure	8000	psi	5.5 X 10 ⁷	Pa
Equivalent Electrical Noise (Resolution)	0.0007	psi	4.82	Pa
Mounted Resonant Frequency	>50000	Hz	>50000	Hz
Frequency Response, +/- 10%	2 to 5000	Hz	2 to 5000	Hz
Minimum Rise Time of Input Pulse	2	µsec	2	µsec
Discharge Time Constant	0.17 to 0.5	sec	0.17 to 0.5	sec
Linearity [1]	+/-1	Hz	+/-1	%F.S
Lower -3db Frequency	1	Hz	1	Hz
Acceleration Sensitivity, Axial Direction	0.002	psi/g	0.014	Kpa/g

ENVIRONMENTAL

Maximum Vibration	3000	g rms	3000	g rms
Maximum Shock	10000	g pk	10000	g pk
Temperature Range	-40 to +250	°F	-40 to +121	°C
Thermal Coefficient Of Sensitivity	0.03	% / °F	0.02	% / °C
Environmental Seal	Hermetic		Hermetic	
Power/Sig Ground Isolation, Min	100	MΩ	100	MΩ

ELECTRICAL

Excitation Voltage Range	18 to 30	VDC	18 to 30	VDC
Excitation Current Range [2]	2 to 20	mA	2 to 20	mA
Output Impedance NOM	100	Ω	100	Ω
Output Bias Voltage, NOM.	7.5 to 9.5	VDC	7.5 to 9.5	VDC
Output Signal Polarity	Positive		Positive	

This family also includes:

Model	Sensitivity (mV/psi)	Range (psi pk)	Resolution (Grms)	Oper. Temp(°F)	TC (Sec)
2006V1	10	500	0.007	-40 to +250	0.17 to 0.5
2006V2	50	100	0.0014	-40 to +250	0.17 to 0.5

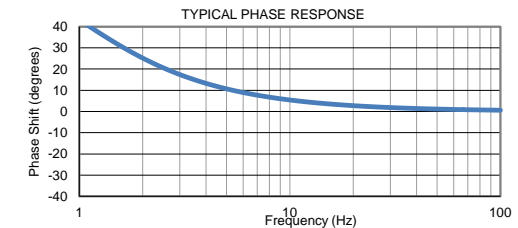
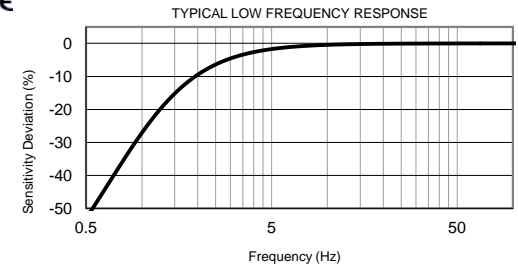
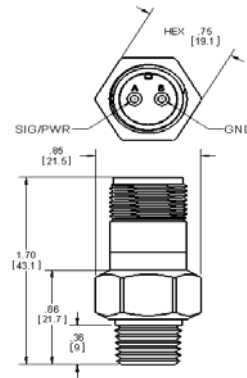
Please, refer to the performance specifications of the products in this family for detailed description.

Notes:

- [1] Percent full scale, zero based fit straight line method.
- [2] From constant current type power unit only. This sensor **MUST NOT BE CONNECTED** to a DC power source without current limiting, 20mA Maximum.
- [3] A calibration certificate traceable to NIST is supplied with each instrument.
- [4] In the interest of constant product improvement, we reserve the right to change the specification without notice

CERTIFICATIONS:

ATEX Ex II 1G Ex ia IIC T4 Ga (marked on each microphone)
 Baseefa13ATEX0206(marked on each microphone)
 CE certified (marked on each microphone) **CE**



Units on the line drawing are in inches, units in brackets are in millimeters. Refer to 127-2006V for more information.



21592 Marilla Street, Chatsworth, California 91311 Phone: 818.700.7818 Fax:818.700.7880
 www.dytran.com For permission to reprint this content, please contact info@dytran.com