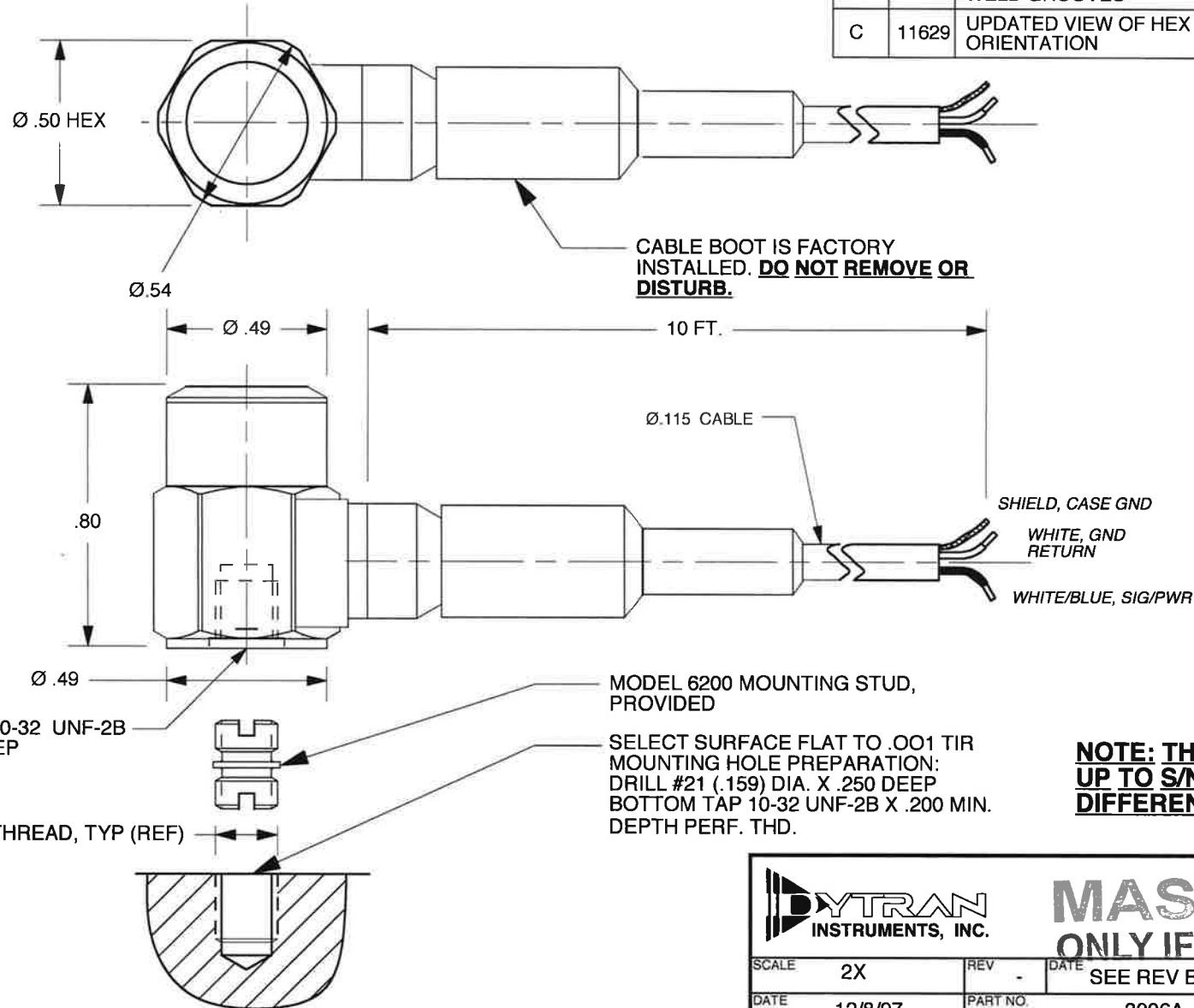


REV	ECN	DESCRIPTION	BY/DATE	CHK	APPR
A	9353	WHITE/BLUE, SIG/PWR WAS: BLACK, SIG/PWR	AB 11/15/12	DV	AS
B	10077	UPDATED VIEW TO DELETE WELD GROOVES	AB 06/18/13	JS	DV
C	11629	UPDATED VIEW OF HEX ORIENTATION	RA 01/05/15	Em	LW



NOTE: THIS DRAWING IS EFFECTIVE UP TO S/N 213. WIRE COLORS ARE DIFFERENT FOR S/N's 214 AND UP

1. MOUNTING TORQUE ON 1/2 HEX: 15 TO 20 LB-INCHES. DO NOT OVERTORQUE.
2. CASE MATERIAL-300 SERIES STAINLESS STEEL.
3. WEIGHT, LESS CABLE-12 GRAMS.

DIYTRAN INSTRUMENTS, INC.		MASTER ONLY IF IN RED		CHATSWORTH, CA.	
SCALE	2X	REV	DATE	SEE REV BLK	ECN
DATE	12/8/97	PART NO.	3006A, UP TO S/N 213		
DRAWN	N.C.	CHECKED	R.A.	MAT'L	
APPROVED	PML 9-18-03	NEXT ASSEMBLY	USED ON		
TITLE				DWG NO.	
OUTLINE/INSTALLATION DRAWING, MODEL 3006A (INCLUDING UP TO S/N 213)				127-3006A	
				SHEET 1 OF 1	



- **HIGH FREQUENCY PERFORMANCE**
- **EXCELLENT LINEARITY**
- **HERMETICALLY SEALED**
- **IMMERSION PROOF BOOT**

ENGLISH		SI	
PHYSICAL			
Weight, Less Cable, Max	0.42	oz	12
Mounting Provision : Tapped Hole	10-32 X .20 Deep		10-32 X .20 Deep
Cable Length	10	FT	25
Material : Base, Cap and Connector Element Style	300 S.S. Crystal Shear Mode		300 S.S. Crystal Shear Mode
PERFORMANCE			
Sensitivity, ±10% [1]	100	mV/g	10.19
Range F.S for ± 5 Volts Output	±50	g	±490
Frequency Range	0.32 to 5000	Hz	0.32 to 5000
	±5%	Hz	0.16 to 10000
	±3 db	Hz	0.16 to 10000
Resonant Frequency	35	kHz	35
Equivalent Electrical Noise Floor	0.00001	Grms	0.0001
Linearity [3]	± 1%	% F.S.	± 1%
Maximum Transverse sensitivity	5	%	5
Strain Sensitivity, Max	0.001	g/με	0.01
ENVIRONMENTAL			
Maximum Vibration	±600	G's,peak	±5886
Maximum Shock	±3000	G's,peak	±29430
Temperature Range	-60 to +250	°F	-54 to +121
Seal, Accelerometer	Hermetic		Hermetic
Electrical			
Supply Current Range [4]	2 to 20	mA	2 to 20
Compliance Voltage Range	+ 18 to +30	Volts	+ 18 to +30
Output Impedance, Typ	100	Ω	100
Bias Voltage	+11 to +13	VDC	+11 to +13
Discharge Time Constant	0.8 to 1.5	Sec	0.8 to 1.5
Output Signal Polarity for Acceleration Towards Top	Positive		Positive
Electrical Isolation, Case Ground to Mounting Surface	10	GΩ,min	10

This family also includes:

Model	Sensitivity	Range F.S ± 5 Volts	Max Vibration/Shock	Resonant Frequency

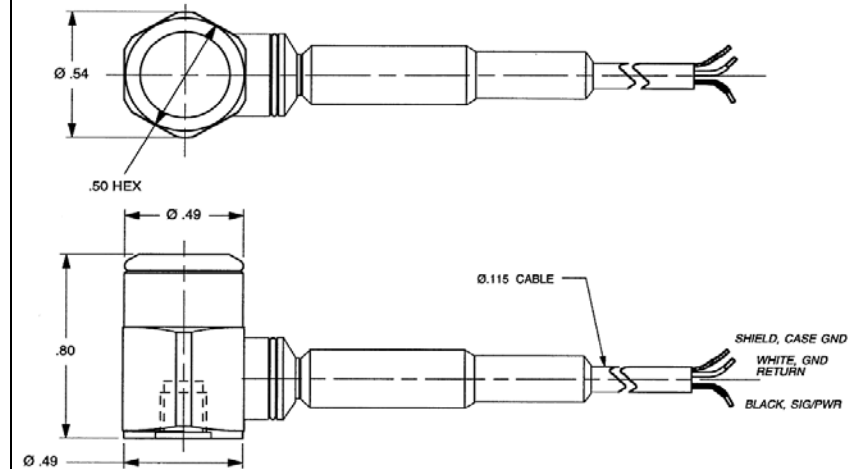
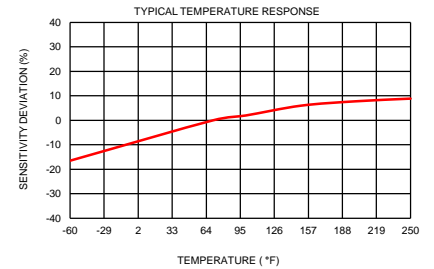
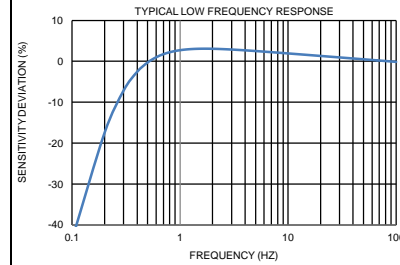
Refer to the performance specifications of the products in this family for detailed description

Supplied Accessories:

- 1) Model 6200 Mounting Stud

Notes:

- [1] Measure at 100Hz, 1 Grms per ISA RP 37.2
- [2] Measure using zero-based straight line method, % of F.S. or any lesser range.
- [3] Do not apply power to this system without current limiting, 20 mA MAX. To do so will destroy the IC charge amplifier.



Units on the line drawing are in inches, units in brackets are in millimeters. Refer to 127-3006M8 for more information.

