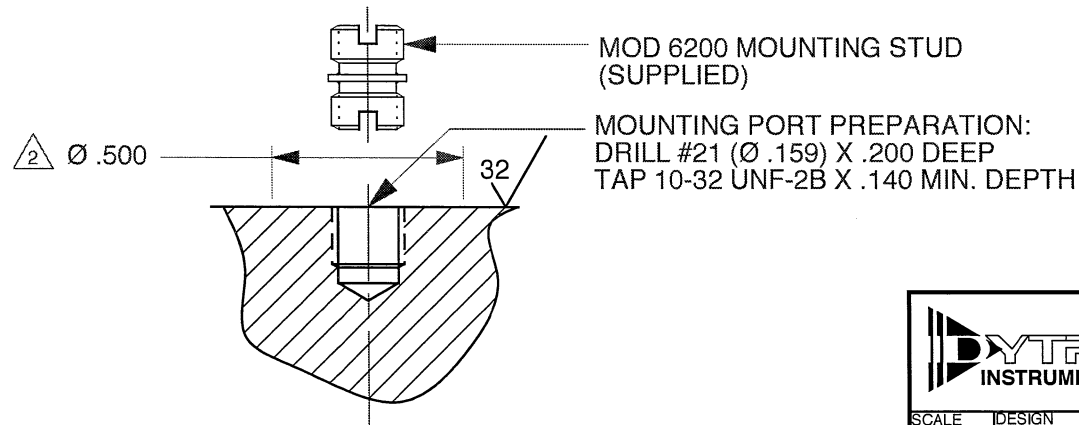
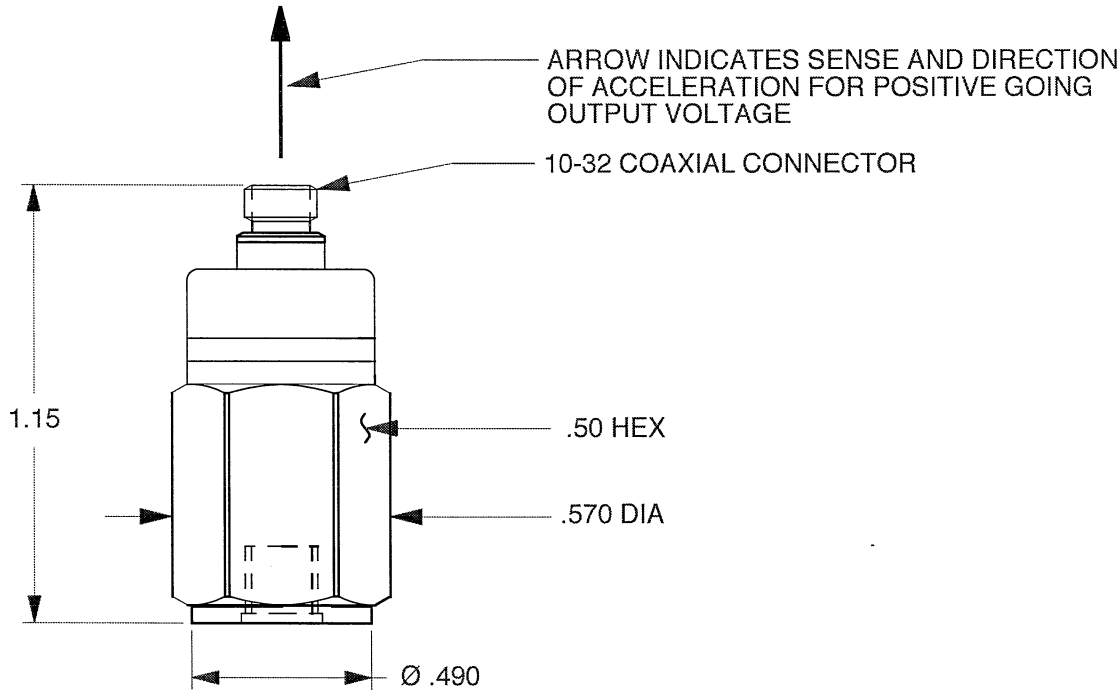


DYTRAN PROPRIETARY AND CONFIDENTIAL

THE INFORMATION CONTAINED IN THIS DRAWING IS THE SOLE PROPERTY OF DYTRAN INSTRUMENTS, INC. AND ANY REPRODUCTION IN PART OR AS A WHOLE OR ANY OTHER DISSEMINATION OF THIS INFORMATION WITHOUT THE WRITTEN PERMISSION OF DYTRAN INSTRUMENTS, INC. IS PROHIBITED.

REV	ECN	DESCRIPTION	BY/DATE	CHK	APPR
A	6988	UPDATED DRAWING TO REFLECT EXISTING DESIGN	NC/6-22-10	SP	[Signature]



- 3. WEIGHT, ACCELEROMETER ONLY: 21 GRAMS.
- 2. PREPARE SMOOTH FLAT SURFACE (FLAT TO .001 TIR) OVER .500 DIA., MIN.
- 1. TORQUE 3010M14 IN PLACE USING 10 to 15 LB-INCHES OF TORQUE ON 1/2 IN. HEX.

		<h1>MASTER ONLY IF IN RED</h1>		CHATSWORTH, CA.	
SCALE 2X	DESIGN N.C.	DATE 6/22/10			
DRAWN N.C.	DATE 6/22/10	PART NO. MODEL 3010M14			
CHECKED SP	DATE 10/13/10	MAT'L			REV A
APPROVED [Signature]	DATE 10/20/10	NEXT ASSEMBLY	USED ON 3010M14		
TITLE <b>OUTLINE/INSTALLATION DRAWING,                  MODEL 3010M14 PRIMARY VIBRATION STANDARD                  ACCELEROMETER</b>			DWG NO. <b>127-3010M14</b>		
			SHEET OF 1		

**Model Number  
3010M14**

**PERFORMANCE SPECIFICATION**

**DOC NO.  
PS3010M14**

**Accelerometer, IEPE**

REV A, ECN 6988 , 08/17/10



- HERMETICALLY SEALED
- SUPERIOR SENSITIVITY STABILITY
- MINIMAL THERMAL SENSITIVITY

**This family also includes:**

Model	Sensitivity (mV/g)	Range (Gpeak)	Resolution (Grms)	Oper. Temp(°F)	Time Constant (Sec)

Please, refer to the performance specifications of the products in this family for detailed description

**Supplied Accessories:**

- 1) Model 6200 Mounting Screw
- 2) Accredited Calibration Certificate (ISO 17025)

**Notes:**

- [1] Coaxial, 10-32 connector. Mates with Dytran cable Model 6010AXX or 6011AXX(XX= Length in feet).
- [2] Measured at 100 Hz, 1 Grms per ISA RP 37.2
- [3] Do not apply power to this device without current limiting, 20mA Max, to do so will destroy the integral IC amplifier
- [4] In the interest of constant product improvement, we reserve the right to change specifications without notice

Weight, Max	0.735	oz	21.0	grams
Mounting Internal Thread	10-32 UNF-2B		10-32 UNF-2B	
Connector [1]	10-32		10-32	
Type	304L SS		304L SS	
Material	304L SS		304L SS	
Housing	Quartz		Quartz	
Material	Compression		Compression	
Sensing Element				
Mode				

**PERFORMANCE**

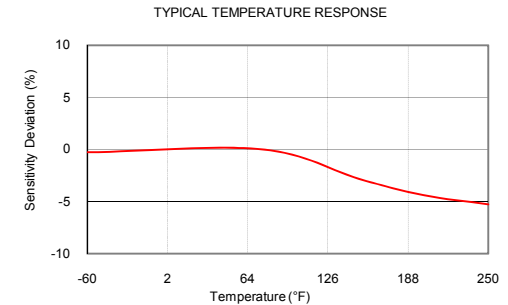
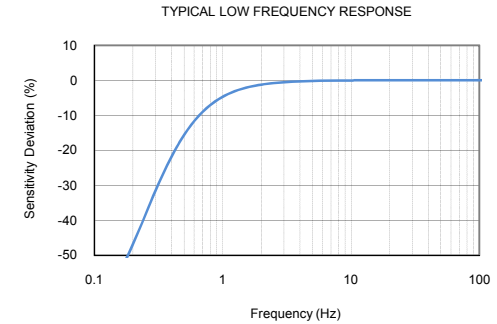
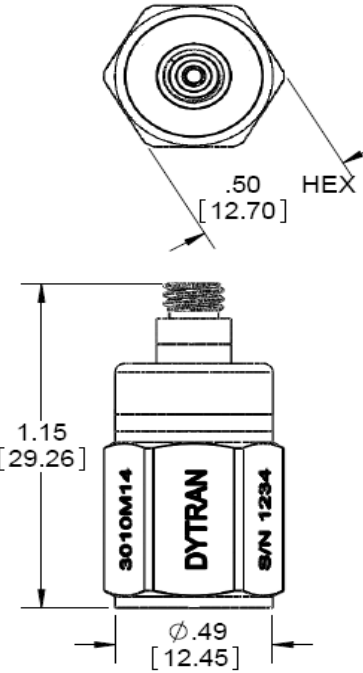
Sensitivity, ±2% [2]	10	mV/g	1.02	mV/m/s <sup>2</sup>
Acceleration Range	± 500	Gpeak	± 981	m/s <sup>2</sup> peak
Frequency Range, ±5%	1 - 5000	Hz	1 - 5000	Hz
Frequency Range, ±3db	.66 to 10000	Hz	.66 to 10000	Hz
Resonance Frequency	> 30	kHz	> 30	kHz
Linearity	±2	%F.S.	±2	%F.S.
Transverse Sensitivity, Max	5	%	5	%
Spectral Noise				
10Hz	0.0008	µGrms/√(Hz)	0.008	µm/s <sup>2</sup> rms/√(Hz)
20Hz	0.0002	µGrms/√(Hz)	0.002	µm/s <sup>2</sup> rms/√(Hz)
100Hz	0.00006	µGrms/√(Hz)	0.00059	µm/s <sup>2</sup> rms/√(Hz)
1000Hz	0.00003	µGrms/√(Hz)	0.00029	µm/s <sup>2</sup> rms/√(Hz)
10000Hz	0.00002	µGrms/√(Hz)	0.0002	µm/s <sup>2</sup> rms/√(Hz)
Broad Band Resolution, Max	0.004	Grms	0.03924	m/s <sup>2</sup> rms
Base Strain Sensitivity, Max	0.004	g/µε	0.04	m/s <sup>2</sup> /µε

**ELECTRICAL**

Supply Current Range [3]	2 to 20	mA	2 to 20	mA
Compliance Voltage Range	+18 to +30	VDC	+18 to +30	VDC
Output Impedance	100	Ω	100	Ω
Bias Voltage	+7.5 to +9.5	VDC	+7.5 to +9.5	VDC
Discharge Time Constant	0.5 to 1.0	sec	0.5 to 1.0	sec

**ENVIRONMENTAL**

Shock Max	3000	G pk	29430	m/s <sup>2</sup>
Vibration Max	1000	G's	9810	m/s <sup>2</sup>
Operating Temperature	-60 to +250	°F	-51 to +121	°C
Seal	Hermetic		Hermetic	



Units on the line drawing are in inches, units in brackets are in millimeters. Refer to 127-3010M14 for more information.



21592 Marilla Street, Chatsworth, California 91311 Phone: 818.700.7818 Fax:818.700.7880  
www.dytran.com For permission to reprint this content, please contact info@dytran.com