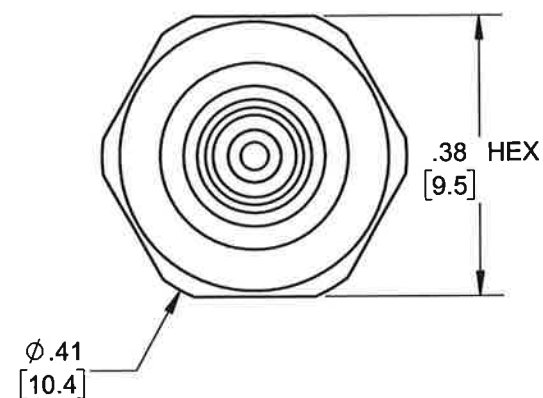


PROPRIETARY AND CONFIDENTIAL

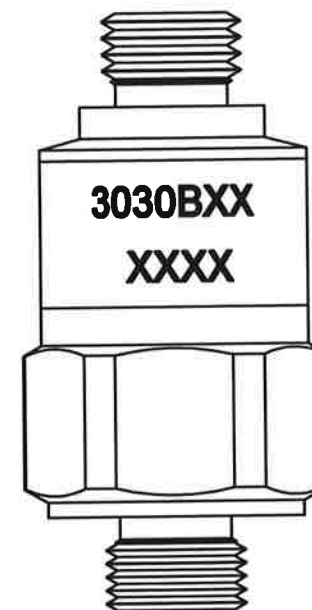
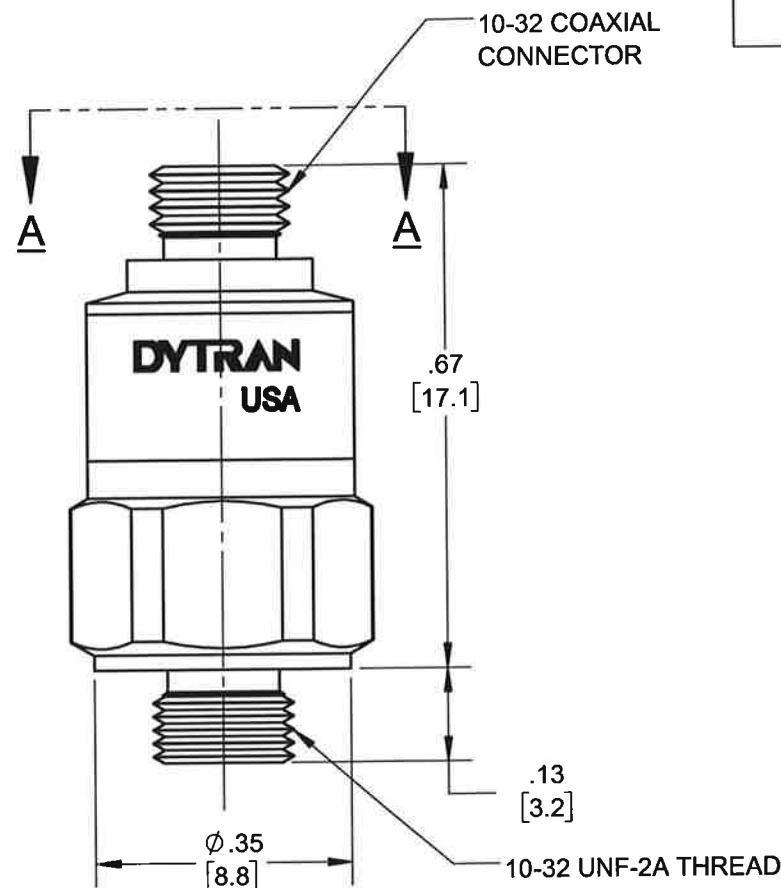
THE INFORMATION CONTAINED IN THIS DRAWING IS THE SOLE PROPERTY OF DYTRAN INSTRUMENTS INC. ANY REPRODUCTION IN PART OR AS A WHOLE WITHOUT THE WRITTEN PERMISSION OF DYTRAN INSTRUMENTS INC. IS PROHIBITED

REVISIONS

REV	ECN	DESCRIPTION	BY/DATE	CHK	APPR
B	12932	REDRAWN IN SOLIDWORKS	RA, 09/09/16	EM	W

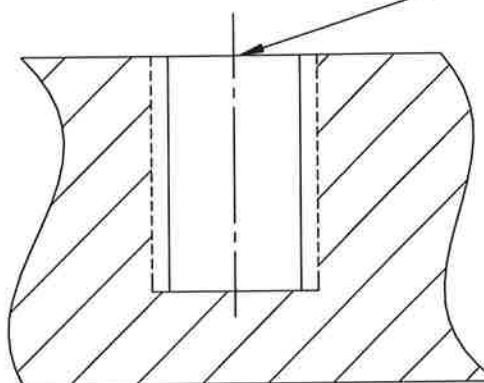


VIEW A-A
SCALE 4 : 1



REAR VIEW

MOUNTING RECOMENDATIONS: PREPARE FLAT MOUNTING SURFACE $\phi .50$ [12.7] MIN, FLAT TO .001 TIR. DRILL AND TAP 10-32 UNF-2B $\nabla .15$ [3.8] MIN. RECOMMENDED MOUNTING TORQUE: 15 LB IN +0/-5 LB IN



- ARROW INDICATES SENSE AND DIRECTION OF ACCELERATION FOR POSITIVE - GOING OUTPUT SIGNAL
- PREPARE FLAT SURFACE TO THIS DIA. WITH A FINISH OF OR BETTER AND FLAT TO .001 TIR.
- PREPARE MOUNTING SURFACE AS SHOWN. APPLY A LAYER OF SILICONE GREASE TO MOUNTING SURFACE. TORQUE IN PLACE WITH 15 LB-IN.

1. HOUSING MATERIAL: 316L STAINLESS STEEL

NOTES: UNLESS OTHERWISE SPECIFIED

UNLESS OTHERWISE SPECIFIED:
 INTERPRET DIM & TOL PER ASME Y14.5M - 1994.
 REMOVE BURRS.
 COUNTERSINK INTERNAL THDS 90° TO MAJOR DIA.
 CHAM EXT THDS 45° TO MINOR DIA.
 THD LENGTHS AND DEPTHS ARE FOR MIN FULL THDS.
 DIMENSIONS APPLY AFTER FINISHING.

ALL MACHINED SURFACES.
 TOTAL RUNOUT WITHIN .005.
 BREAK SHARP EDGES .005 TO .010.
 MACHINED FILLET RADII .005 TO .015.
 WELDING SYMBOLS PER AWS A2.4.
 ABBREVIATIONS PER MIL-STD-12.

UNLESS OTHERWISE SPECIFIED: DIMENSIONS ARE IN INCHES. DIMENSIONS IN BRACKETS [] ARE IN MILLIMETERS TOLERANCES ARE:		
DECIMALS	METRIC	ANGLES
.XX ±.03	.X ± 0.8	±1°
.XXX ±.010	.XX ±0.25	
APPROVALS		DATE
ORIG	NC	12/07/95
CHK	NC	06/30/98
APP	NC	06/30/16
DO NOT SCALE DRAWING		THIRD ANGLE PROJECTION



TITLE: **OUTLINE/INSTALLATION DRAWING, 3030B SERIES**

SIZE	CAGE CODE	DWG NO	REV
B	2W033	127-3030B	B
SCALE: 2:1		SHEET 1 OF 1	

Model Number 3030B4	PERFORMANCE SPECIFICATION	DOC NO PS3030B4
MINIATURE IEPE ACCELEROMETER		REV E, ECN 12932, 09/13/16



- MINIATURE SIZE
- EXCELLENT LINEARITY
- HERMETICALLY SEALED

PHYSICAL

Weight	0.25	oz
Size	0.375 x 0.67	Inches
Connector	10-32 Micro Coax	
Mounting Provision	10-32 (UNF-2A)	Integral Stud
Material	17-4 PH/ 304L	Accelerometer and Connector
Element Style	Quartz Compression	

ENGLISH		SI	
Weight	0.25	grams	7.2
Size	0.375 x 0.67	mm	9.525 x 17.01
Connector	10-32 Micro Coax		10-32 Micro Coax
Mounting Provision	10-32 (UNF-2A)		10-32 (UNF-2A)
Material	17-4 PH/ 304L		17-4 PH/ 304L
Element Style	Quartz Compression		Quartz Compression

PERFORMANCE

Sensitivity, ±5% [1]	10	mV/g	1	mV/m/s ²
Range F.S for ± 5 Volts Output	±500	g	±4905	m/s ²
Frequency Response, ±5%	2 to 10000	Hz	2 to 10000	Hz
Resonant Frequency, Nom	30	kHz	30	kHz
Equivalent Electrical Noise Floor	0.0036	Grms	0.035	m/s ² rms
Linearity [2]	± 1%	% F.S.	± 1%	% F.S.
Maximum Transverse sensitivity	5	%	5	%
Strain Sensitivity @ 250µε	0.003	g/µε	0.03	m/s ² /µε

ENVIRONMENTAL

Maximum Vibration	±1000	Gpeak	±9810	m/s ² peak
Maximum Shock	±3000	Gpeak	±29430	m/s ² peak
Temperature Range	-60 to +250	°F	-51 to 121	°C
Seal, Hermetic	Welded/Glass To Metal		Welded/Glass To Metal	

ELECTRICAL

Supply Current Range [3]	2 to 20	mA	2 to 20	mA
Compliance Voltage Range	+ 18 to +30	Volts	+ 18 to +30	Volts
Output Impedence, Typ	100	Ω	100	Ω
Bias Voltage	7.5 to 11	VDC	7.5 to 11	VDC
Discharge Time Constant	0.5 to 1	Sec	0.5 to 1	Sec

This family also includes:

Model	Sensitivity (mV/g)	Frequency Response (Hz)	Time Constant (Sec)	Operating Temp (°F)
3030B5	10	5 to 10000	0.1 to 0.3	-60 to 250
3030B5H	10	5 to 10000	0.1 to 0.3	-60 to 325

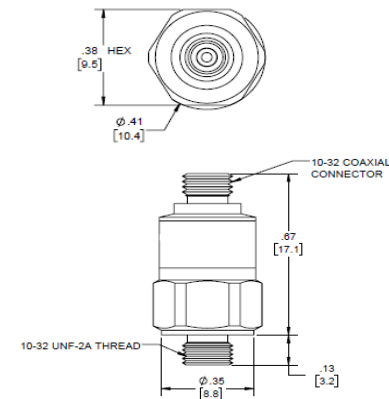
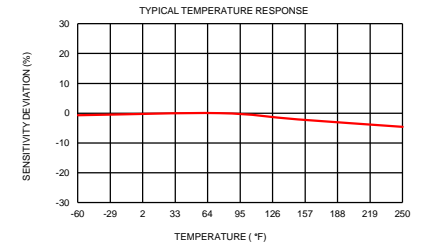
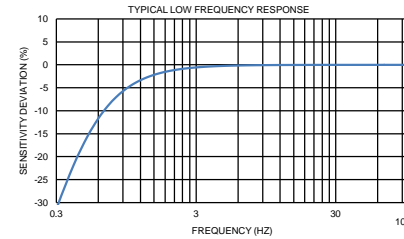
Please refer to the performance specifications of the products in this family for detailed description

Supplied Accessories:

- 1) Accredited calibration certificate (ISO 17025)

Notes:

- [1] Measure at 100Hz, 1 Grms per ISA RP 37.2
- [2] Measure using zero-based straight line method, % of F.S. or any lesser range.
- [3] Do not apply power to this system without current limiting, 20 mA MAX. To do so will destroy the IC charge amplifier.
- [4] In the interest of constant product improvement, we reserve the right to change specifications without notice.



Units on the line drawing are in inches. Refer to 127-3030B for more information.



21592 Marilla Street, Chatsworth, California 91311 Phone: 818.700.7818 Fax: 818.700.7880 www.dytran.com
For permission to reprint this content, please contact info@dytran.com