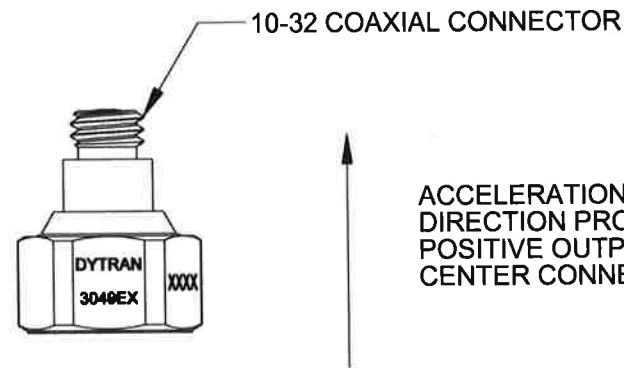
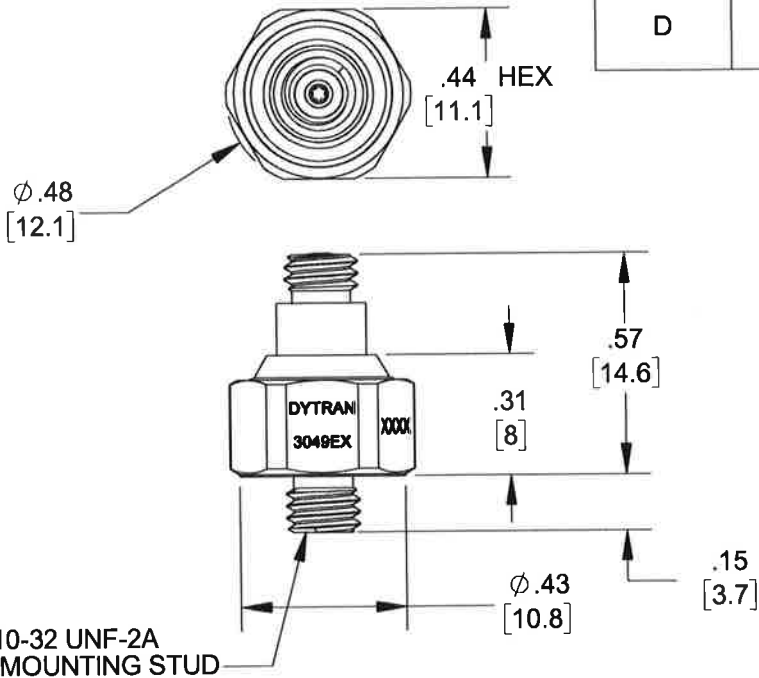


PROPRIETARY AND CONFIDENTIAL

THE INFORMATION CONTAINED IN THIS DRAWING IS THE SOLE PROPERTY OF DYTRAN INSTRUMENTS INC. ANY REPRODUCTION IN PART OR AS A WHOLE WITHOUT THE WRITTEN PERMISSION OF DYTRAN INSTRUMENTS, INC. IS PROHIBITED

REVISIONS

REV.	ECN	DESCRIPTION	BY/DATE	CHK	APPR
C	10171	3049E1 & 3049E3 - WEIGHT IS: 3.5 GRAMS WAS: 4.0 GRAMS	LN 07/10/13	DV	AS
D	13077	ADDED 3049E4 & E5	JS 10/27/16	LA	AS



ACCELERATION IN THIS DIRECTION PRODUCES POSITIVE OUTPUT ON CENTER CONNECTOR PIN

MODEL	REV	ECN	DATE	SENSITIVITY	MOUNTING	WEIGHT, MAX
3049E	B	9307	11/02/12	10 mV/g	STUD	4.2 GRAMS
3049E1	C	10171	07/10/13	10 mV/g	ADHESIVE	3.5 GRAMS
3049E2	B	9307	11/02/12	100 mV/g	STUD	4.2 GRAMS
3049E3	C	10171	07/10/13	100 mV/g	ADHESIVE	3.5 GRAMS
3049E4	A	13077	10/27/16	50mV/g	STUD	4.2 GRAMS
3049E5	A	13077	10/27/16	50mV/g	ADHESIVE	3.5 GRAMS

1 MOUNTING TORQUE TO: 8-10 lb-in
NOTES: UNLESS OTHERWISE SPECIFIED

CONTRACT NO.



TITLE: **OUTLINE/INSTALLATION DRAWING, 3049E SERIES**

USED ON	NEXT ASSY
APPLICATION	
THIRD ANGLE PROJECTION USA	

UNLESS OTHERWISE SPECIFIED:
INTERPRET DIM & TOL PER ASME Y14.5M - 1994.
REMOVE BURRS.
COUNTERSINK INTERNAL THDS 90° TO MAJOR DIA.
CHAM EXT THDS 45° TO MINOR DIA.
THD LENGTHS AND DEPTHS ARE FOR MIN FULL THDS.
THDS PER MIL-S-7742.
DIMENSIONS APPLY AFTER FINISHING.
ALL MACHINED SURFACES.
TOTAL RUNOUT WITHIN .005.
BREAK SHARP EDGES .005 TO .010.
MACHINED FILLET RADII .005 TO .015.
WELDING SYMBOLS PER AWS A2.4.
ABBREVIATIONS PER MIL-STD-12.

UNLESS OTHERWISE SPECIFIED:
DIMENSIONS ARE IN INCHES.
DIMENSIONS IN BRACKETS [] ARE IN MILLIMETERS
TOLERANCES ARE:
INCHES METRIC ANGLES
.XX ± .03 .X ± 0.8 ± 1°
.XXX ± .010 .XX ± 0.25

MATERIAL

FINISH

DO NOT SCALE DRAWING

APPROVALS		DATE
ORIG	PML	12/09/05
CHK	PML	04/17/06
APP	PML	04/17/06
APP		

SIZE A	CAGE CODE 2W033	DWG. NO. 127-3049E	REV D
SCALE: 4:1	SOLIDWORKS	SHEET 1 OF 1	

	IEPE ACCELEROMETER	REV B, ECN 14548, 10/09/18
--	---------------------------	----------------------------



- MINIATURE DESIGN
- HERMETICALLY SEALED
- LOW-OUTGASSING

PHYSICAL

Weight, Max.
Connector, Top Mounted
Mounting Provision
Material (Base, Cap, Connector)
Sensing Element

ENGLISH		SI	
0.15	oz	4.2	grams
10-32		10-32	
Integral Stud 10-32 UNF-2A		Integral Stud 10-32 UNF-2A	
Titanium Alloy		Titanium Alloy	
Ceramic		Ceramic	
Shear		Shear	

PERFORMANCE

Sensitivity, ±5% [1]
Range for ± 5 Volts Output
Frequency Response, ± 5%
Resonant Frequency
Equivalent Electrical Noise Floor
Linearity, [2]
Maximum Transverse Sensitivity
Base Strain Sensitivity @ 250µε

10	mV/g	1.0	mV/m/s ²
500	g	4905	m/s ²
1 to 10,000	Hz	1 to 10,000	Hz
> 35	kHz	> 35	kHz
0.003	Grms	0.03	m/s ² rms
±2	% F.S.	±2	% F.S.
5	%	5	%
0.004	g/µε	0.04	m/s ² /µε

ENVIRONMENTAL

Maximum Vibration
Maximum Shock
Temperature Range
Seal

600	Gpeak	5886	m/s ² peak
5000	Gpeak	49050	m/s ² peak
-60 to +250	°F	-51 to 121	°C
Hermetic		Hermetic	

ELECTRICAL

Supply Current Range [3]
Compliance Voltage Range
Output Impedance, Typ.
Bias Voltage
Discharge Time Constant
Output Signal Polarity for Acceleration Toward Top
Electrical Isolation (Case Ground to Mounting Surface)

2 to 20	mA	2 to 20	mA
+18 to +30	Volts	+18 to +30	Volts
100	Ω	100	Ω
+11 to +13	VDC	+11 to +13	VDC
0.5 to 1.2	Sec	0.5 to 1.2	Sec
Positive		Positive	
10	GΩ	10	GΩ

This family also includes:

Model	Sensitivity (mV/g)	Frequency Response (Hz)	Time Constant (Sec)	Operating Temp (°F)

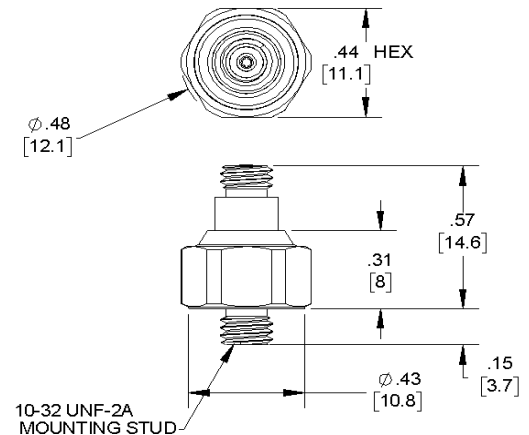
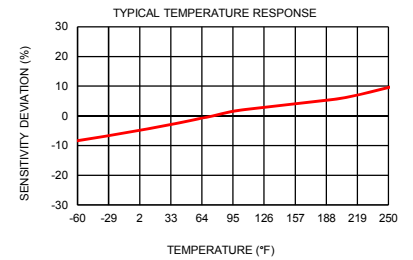
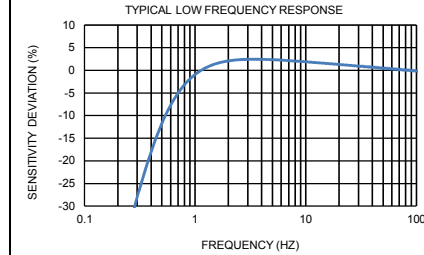
Refer to the performance specifications of the products in this family for detailed description

Supplied Accessories:

- Accredited calibration certificate (ISO 17025)

Notes:

- Measured at 100Hz, 1 Grms per ISA RP 37.2.
- Measure using zero-based straight line method, % of F.S. or any lesser range.
- Do not apply power to this system without current limiting, 20 mA MAX. To do so will destroy the IC charge amplifier.



Units on the line drawing are in inches, units in brackets are in millimeters. Refer to 127-3049E for more information.

