

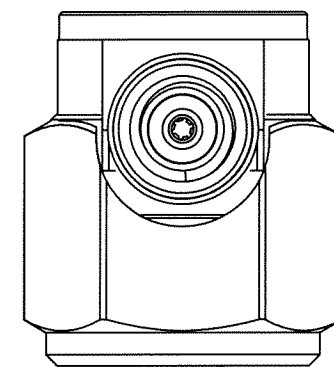
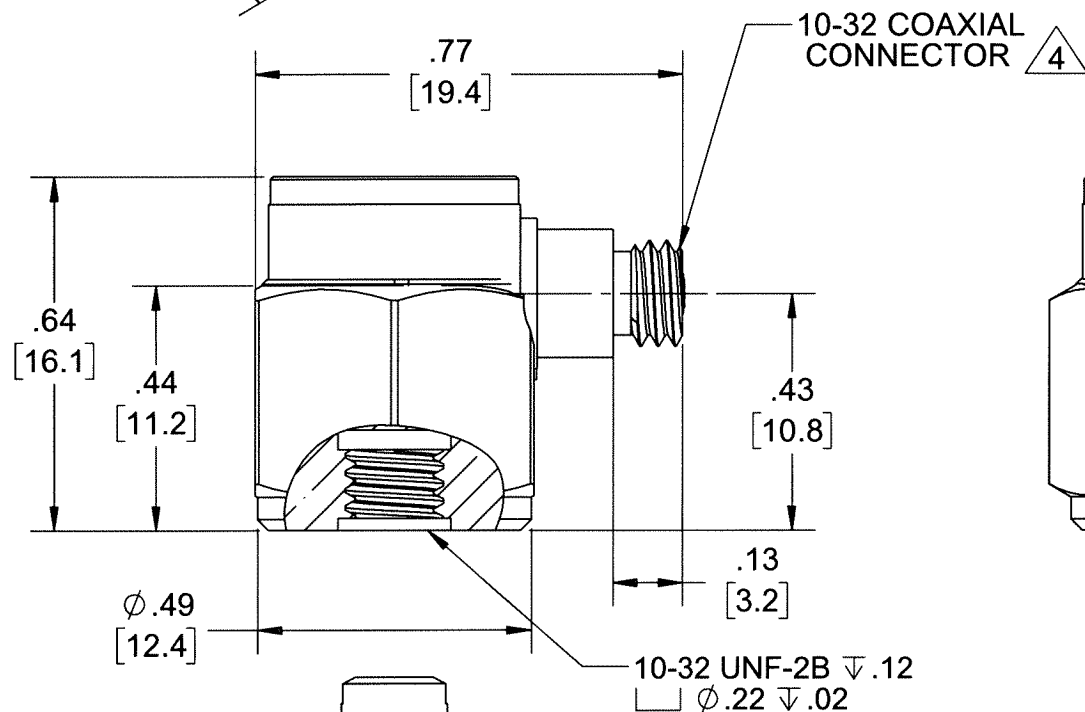
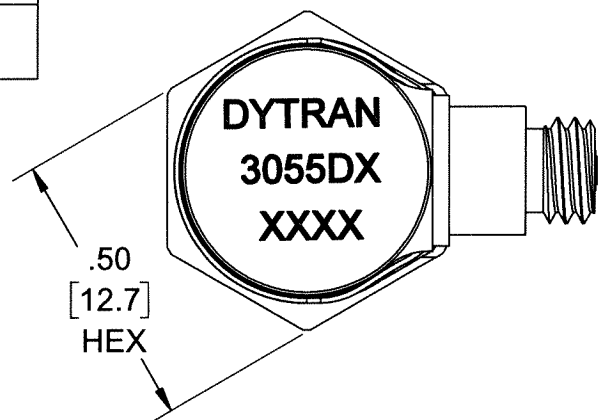
PROPRIETARY AND CONFIDENTIAL

THE INFORMATION CONTAINED IN THIS DRAWING IS THE SOLE PROPERTY OF DYTRAN INSTRUMENTS INC. ANY REPRODUCTION IN PART OR AS A WHOLE WITHOUT THE WRITTEN PERMISSION OF DYTRAN INSTRUMENTS INC. IS PROHIBITED

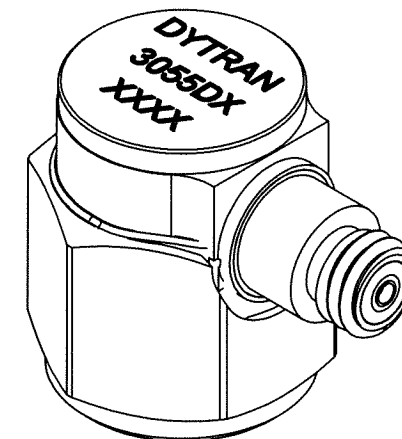
REVISIONS

REV.	ECN	DESCRIPTION	BY/DATE	CHK	APPR
A	11394	INITIAL RELEASE	RA, 11/05/14	EM	DV
B	14310	ZONE B3 10-32 UNF WAS: 10-32 UNC	RA, 06/28/18	MH	[Signature]

MODEL	SENSITIVITY
3055D1	10 mV/g
3055D2	100 mV/g
3055D3	500 mV/g
3055D4	50 mV/g
3055D5	20 mV/G
3055D6	200 mV/g



ISOLATION CUP



6200 MTG STUD PROVIDED

MOUNTING SURFACE HOLE PREPARATION:
SELECT SURFACE FLAT TO .001 TIR
TAP 10-32 UNF-2B X .200 MIN THD DEPTH

4 MATES WITH DYTRAN 6010AXX OR 6011AXX CABLE (XX=LENGTH IS FEET)

3. WEIGHT: 10 GRAMS, MAX.

2 ARROW INDICATES ACCELERATION DIRECTION FOR POSITIVE OUTPUT.

1. MATERIAL: TITANIUM ALLOY

NOTES: UNLESS OTHERWISE SPECIFIED

UNLESS OTHERWISE SPECIFIED:
INTERPRET DIM & TOL PER ASME Y14.5M - 1994.
REMOVE BURRS.
COUNTERSINK INTERNAL THDS 90° TO MAJOR DIA.
CHAM EXT THDS 45° TO MINOR DIA.
THD LENGTHS AND DEPTHS ARE FOR MIN FULL THDS.
DIMENSIONS APPLY AFTER FINISHING.

ALL MACHINED SURFACES.
TOTAL RUNOUT WITHIN .005.
BREAK SHARP EDGES .005 TO .010.
MACHINED FILLET RADII .005 TO .015.
WELDING SYMBOLS PER AWS A2.4.
ABBREVIATIONS PER MIL-STD-12.

UNLESS OTHERWISE SPECIFIED:
DIMENSIONS ARE IN INCHES.
DECIMALS TOLERANCES ARE:
.XX ±.01
.XXX ±.005

APPROVALS		DATE
DRAWN	RA	05/29/14
DESIGN	RA	01/23/14
CHK	EM	12/17/14
APP	DV	12/17/14
DO NOT SCALE DRAWING		THIRD ANGLE PROJECTION

DYTRAN INSTRUMENTS, INC. Chatsworth, CA

MASTER ONLY IF IN RED

TITLE: **OUTLINE/INSTALLATION, ACCEL, ISOLATED, 10 MV/G, SIDE 10-32 CONN**

SIZE B	CAGE CODE 2W033	DWG NO 127-3055D	REV B
SCALE: 3:1	PART NO:	SHEET 1 OF 1	

Model Number 3055D1	PERFORMANCE SPECIFICATIONS	DOC NO PS3055D1
IEPE ACCELEROMETER		REV E, ECN 13042, 10/28/16



- HERMETICALLY SEALED
- BASE ISOLATED
- IDEAL LOW FREQUENCY RESPONSE

ENGLISH		SI	
Weight	0.35 oz	10	grams
Connector Type	10-32	10-32	
Mounting Provision	10-32 X .150 ↓	10-32 X .150 ↓	
Material, Housing/Connector	Titanium	Titanium	
Sensing Element	Ceramic	Ceramic	
Element Style	Planar Shear	Planar Shear	

PHYSICAL
 Weight
 Connector Type
 Mounting Provision
 Material, Housing/Connector
 Sensing Element
 Element Style

PERFORMANCE
 Sensitivity, ± 5% [1]
 Range for ± 5 Volts Output
 Frequency Response, ± 5%
 Frequency Response, ± 10%
 Resonant Frequency
 Broad Band Resolution
 Spectral Noise
 Linearity [2]
 Maximum Transverse sensitivity
 Strain Sensitivity @ 250µε

Sensitivity, ± 5% [1]	10 mV/g	1 mV/m/s ²	
Range for ± 5 Volts Output	500 g	4905 m/s ²	
Frequency Response, ± 5%	1 to 5000 Hz	1 to 5000 Hz	
Frequency Response, ± 10%	1 to 10000 Hz	1 to 10000 Hz	
Resonant Frequency	> 36 kHz	> 36 kHz	
Broad Band Resolution	0.0030 Grms	0.029 m/s ² rms	
Spectral Noise	1Hz	340 µGrms/v(Hz)	3335 m/s ² rms/v(Hz)
	10Hz	130 µGrms/v(Hz)	1275 m/s ² rms/v(Hz)
	100Hz	36 µGrms/v(Hz)	353 m/s ² rms/v(Hz)
	1000Hz	21 µGrms/v(Hz)	206 m/s ² rms/v(Hz)
	10000Hz	12 µGrms/v(Hz)	117.7 m/s ² rms/v(Hz)
Linearity [2]	± 1 % F.S.	± 1 % F.S.	
Maximum Transverse sensitivity	5 %	5 %	
Strain Sensitivity @ 250µε	0.002 g/µε	0.02 m/s ² /µε	

ENVIRONMENTAL
 Maximum Vibration
 Maximum Shock
 Temperature Range (<3% Sensitivity Deviation)
 Temperature Range
 Seal

Maximum Vibration	600 Gpeak	5886 m/s ² peak
Maximum Shock	5000 Gpeak	49050 m/s ² peak
Temperature Range (<3% Sensitivity Deviation)	+50 to +100 °F	10 to 38 °C
Temperature Range	-67 to +250 °F	-55 to 121 °C
Seal	Hermetic	Hermetic

ELECTRICAL
 Supply Current Range [3]
 Compliance Voltage Range
 Output Impedance, Typ
 Bias Voltage
 Discharge Time Constant
 Electrical Isolation

Supply Current Range [3]	2 to 20 mA	2 to 20 mA
Compliance Voltage Range	18 to +30 Volts	18 to +30 Volts
Output Impedance, Typ	100 Ω	100 Ω
Bias Voltage	11 to 13 VDC	11 to 13 VDC
Discharge Time Constant	0.5 to 1.5 Sec	0.5 to 1.5 Sec
Electrical Isolation	10 GΩ, min	10 GΩ, min

This family also includes:

Model	Sensitivity (mV/g)	Frequency Response (Hz)	Time Constant (Sec)	Operating Temp (°F)
3055D2	100	1 to 10000	0.5 to 1.5	-67 to +250
3055D3	500	1 to 10000	0.5 to 1.5	-67 to +225
3055D4	50	1 to 10000	0.5 to 1.5	-67 to +250
3055D5	20	1 to 10000	0.5 to 1.5	-67 to +250
3055D6	200	1 to 10000	0.5 to 1.5	-67 to +225

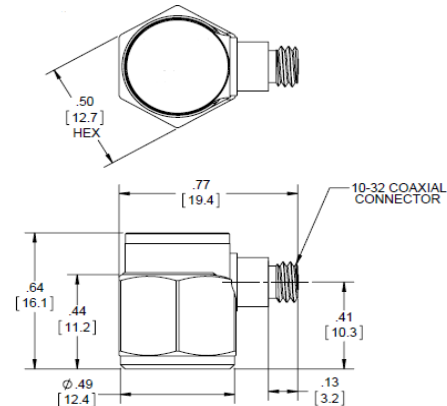
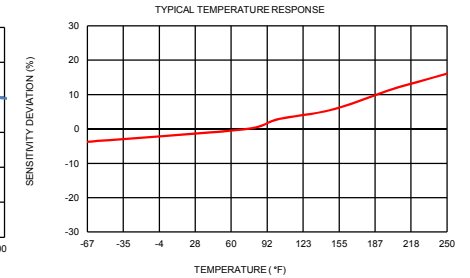
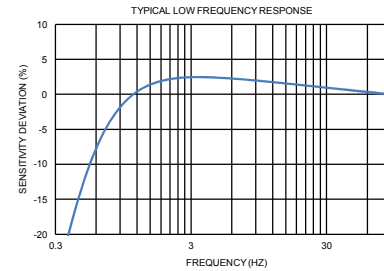
Refer to the performance specifications of the products in this family for detailed description

Supplied Accessories:

- 1) Accredited calibration certificate (ISO 17025)
- 2) Model 6200 mounting stud, qty 1

Notes:

- [1] Measured at 100Hz, 1 Grms per ISA RP 37.2.
- [2] Measure using zero-based straight line method, % of F.S. or any lesser range.
- [3] Do not apply power to this system without current limiting, 20 mA MAX. To do so will destroy the IC charge amplifier.
- [4] In the interest of constant product improvement, we reserve the right to change specifications without notice.



Units on the line drawing are in inches, units in brackets are in millimeters. Refer to 127-3055D for more information.



21592 Marilla Street, Chatsworth, California 91311 Phone: 818.700.7818 Fax: 818.700.7880 www.dytran.com
 For permission to reprint this content, please contact info@dytran.com