

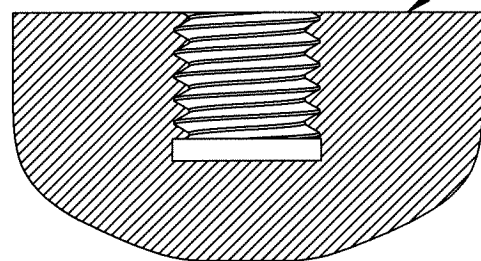
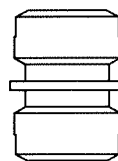
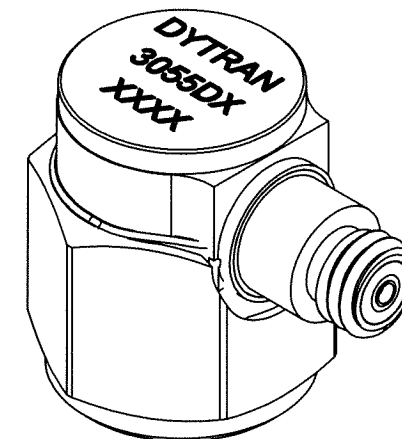
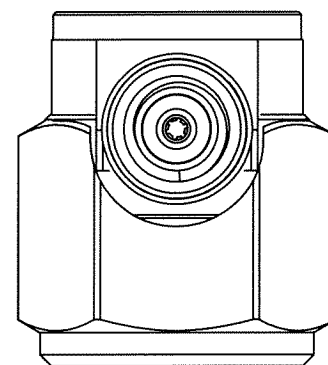
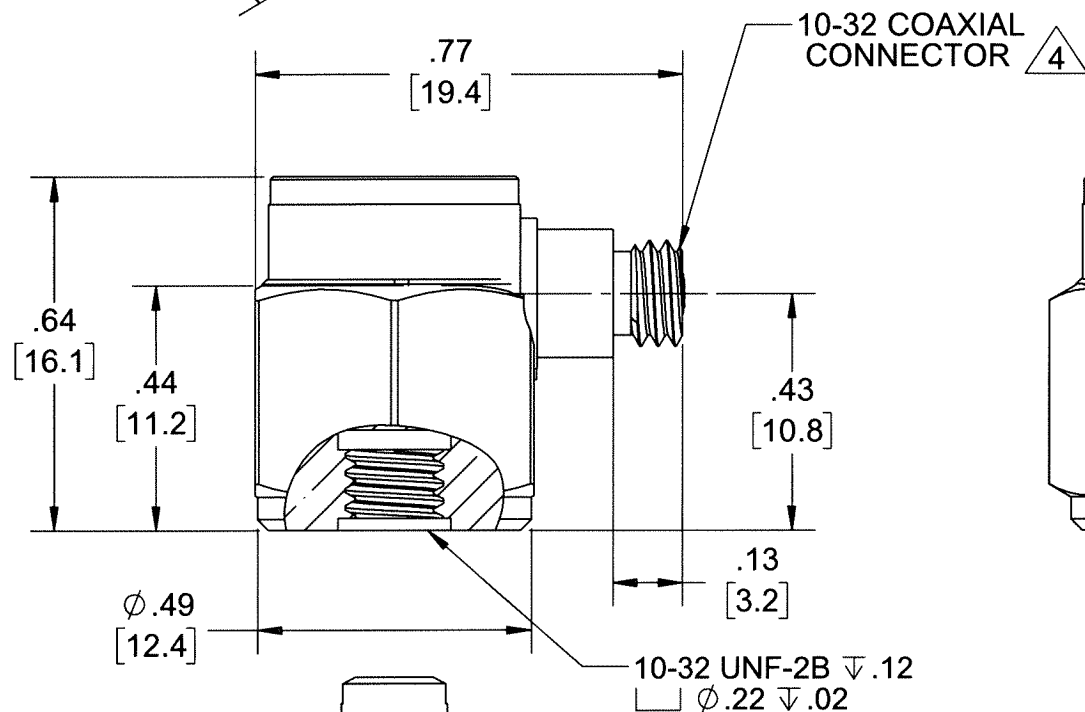
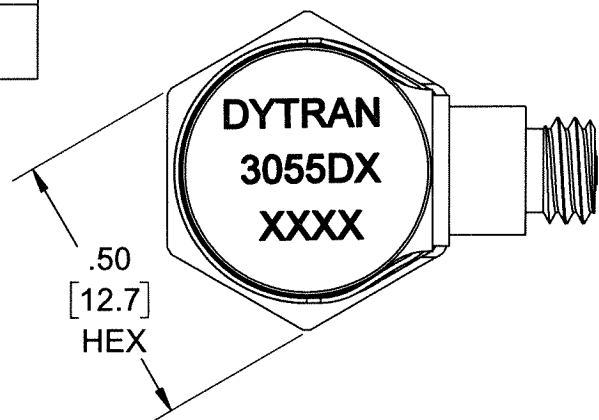
PROPRIETARY AND CONFIDENTIAL

THE INFORMATION CONTAINED IN THIS DRAWING IS THE SOLE PROPERTY OF DYTRAN INSTRUMENTS INC. ANY REPRODUCTION IN PART OR AS A WHOLE WITHOUT THE WRITTEN PERMISSION OF DYTRAN INSTRUMENTS INC. IS PROHIBITED

REVISIONS

REV.	ECN	DESCRIPTION	BY/DATE	CHK	APPR
A	11394	INITIAL RELEASE	RA, 11/05/14	EM	DV
B	14310	ZONE B3 10-32 UNF WAS: 10-32 UNC	RA, 06/28/18	MH	[Signature]

MODEL	SENSITIVITY
3055D1	10 mV/g
3055D2	100 mV/g
3055D3	500 mV/g
3055D4	50 mV/g
3055D5	20 mV/G
3055D6	200 mV/g



MOUNTING SURFACE HOLE PREPARATION:
 SELECT SURFACE FLAT TO .001 TIR
 TAP 10-32 UNF-2B X .200 MIN THD DEPTH

4 MATES WITH DYTRAN 6010AXX OR 6011AXX CABLE (XX=LENGTH IS FEET)

3. WEIGHT: 10 GRAMS, MAX.

2 ARROW INDICATES ACCELERATION DIRECTION FOR POSITIVE OUTPUT.

1. MATERIAL: TITANIUM ALLOY

NOTES: UNLESS OTHERWISE SPECIFIED

UNLESS OTHERWISE SPECIFIED:
 INTERPRET DIM & TOL PER ASME Y14.5M - 1994.
 REMOVE BURRS.
 COUNTERSINK INTERNAL THDS 90° TO MAJOR DIA.
 CHAM EXT THDS 45° TO MINOR DIA.
 THD LENGTHS AND DEPTHS ARE FOR MIN FULL THDS.
 DIMENSIONS APPLY AFTER FINISHING.

ALL MACHINED SURFACES.
 TOTAL RUNOUT WITHIN .005.
 BREAK SHARP EDGES .005 TO .010.
 MACHINED FILLET RADII .005 TO .015.
 WELDING SYMBOLS PER AWS A2.4.
 ABBREVIATIONS PER MIL-STD-12.

UNLESS OTHERWISE SPECIFIED:
 DIMENSIONS ARE IN INCHES.
 DECIMALS TOLERANCES ARE: ANGLES ±1°
 .XX ±.01
 .XXX ±.005

APPROVALS		DATE
DRAWN	RA	05/29/14
DESIGN	RA	01/23/14
CHK	EM	12/17/14
APP	DV	12/17/14
DO NOT SCALE DRAWING		THIRD ANGLE PROJECTION

DYTRAN INSTRUMENTS, INC. Chatsworth, CA

MASTER ONLY IF IN RED

TITLE: **OUTLINE/INSTALLATION, ACCEL, ISOLATED, 10 MV/G, SIDE 10-32 CONN**

SIZE B	CAGE CODE 2W033	DWG NO 127-3055D	REV B
SCALE: 3:1	PART NO:	SHEET 1 OF 1	

Model Number 3055D3	PERFORMANCE SPECIFICATIONS	DOC NO PS3055D3
-------------------------------	-----------------------------------	---------------------------

IEPE ACCELEROMETER

REV E, ECN 13042, 10/28/16



- HERMETICALLY SEALED
- BASE ISOLATED
- IDEAL LOW FREQUENCY RESPONSE

This family also includes:

Model	Sensitivity (mV/g)	Frequency Response (Hz)	Time Constant (Sec)	Operating Temp (*F)
3055D1	10	1 to 10000	0.5 to 1.5	-67 to +250
3055D2	100	1 to 10000	0.5 to 1.5	-67 to +250
3055D4	50	1 to 10000	0.5 to 1.5	-67 to +250
3055D5	20	1 to 10000	0.5 to 1.5	-67 to +250
3055D6	200	1 to 10000	0.5 to 1.5	-67 to +225

Refer to the performance specifications of the products in this family for detailed description

PHYSICAL

Weight
Connector Type
Mounting Provision Tapped Hole
Material, Housing/Connector
Sensing Element
Element Style

ENGLISH		SI	
Weight	0.35 oz	10	grams
Connector Type	10-32	10-32	
Mounting Provision	10-32 X .150 ↓	10-32 X .150 ↓	
Material, Housing/Connector	Titanium	Titanium	
Sensing Element	Ceramic	Ceramic	
Element Style	Planar Shear	Planar Shear	

PERFORMANCE

Sensitivity, ± 5% [1]
Range for ± 5 Volts Output
Frequency Response, ± 5%
Frequency Response, ± 10%
Resonant Frequency
Broad Band Resolution
Spectral Noise
Linearity [2]
Maximum Transverse sensitivity
Strain Sensitivity @ 250µε

Sensitivity, ± 5% [1]	500 mV/g	51	mV/m/s ²
Range for ± 5 Volts Output	10 g	98	m/s ²
Frequency Response, ± 5%	1 to 5000 Hz	1 to 5000	Hz
Frequency Response, ± 10%	1 to 10000 Hz	1 to 10000	Hz
Resonant Frequency	> 36 kHz	> 36	kHz
Broad Band Resolution	0.00015 Grms	0.001	m/s ² rms
Spectral Noise	1Hz: 6.8 µGrms/v(Hz)	67	µm/s ² rms/v(Hz)
	10Hz: 5.5 µGrms/v(Hz)	54	µm/s ² rms/v(Hz)
	100Hz: 2.5 µGrms/v(Hz)	25	µm/s ² rms/v(Hz)
	1000Hz: 1.2 µGrms/v(Hz)	12	µm/s ² rms/v(Hz)
Linearity [2]	±1 % F.S.	±1	% F.S.
Maximum Transverse sensitivity	5 %	5	%
Strain Sensitivity @ 250µε	0.002 g/µε	0.02	m/s ² /µε

ENVIRONMENTAL

Maximum Vibration
Maximum Shock
Temperature Range (<3% Sensitivity Deviation)
Temperature Range
Temperature Range (Storage)
Seal

Maximum Vibration	200 Gpeak	1962	m/s ² peak
Maximum Shock	5000 Gpeak	49050	m/s ² peak
Temperature Range (<3% Sensitivity Deviation)	+50 to +100 °F	+10 to +38	°C
Temperature Range	-67 to +225 °F	-55 to 107	°C
Temperature Range (Storage)	-67 to +250 °F	-55 to 121	°C
Seal	Hermetic	Hermetic	

ELECTRICAL

Supply Current Range [3]
Compliance Voltage Range
Output Impedence, Typ
Bias Voltage
Discharge Time Constant
Electrical Isolation

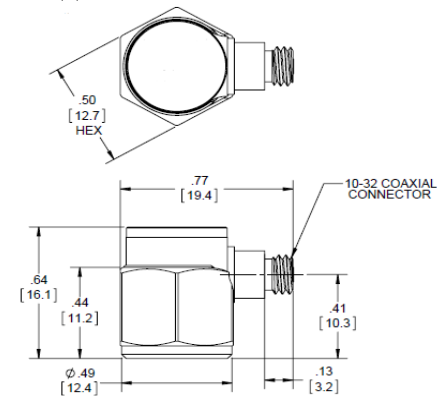
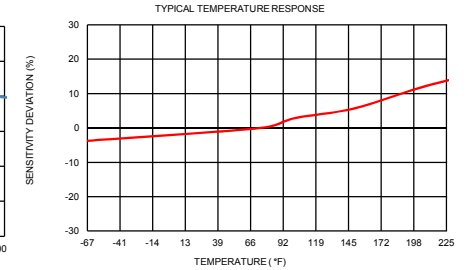
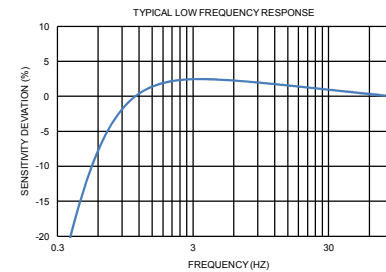
Supply Current Range [3]	2 to 20 mA	2 to 20	mA
Compliance Voltage Range	18 to +30 Volts	18 to +30	Volts
Output Impedence, Typ	100 Ω	100	Ω
Bias Voltage	11 to 13 VDC	11 to 13	VDC
Discharge Time Constant	0.5 to 1.5 Sec	0.5 to 1.5	Sec
Electrical Isolation	10 GΩ, min	10	GΩ, min

Supplied Accessories:

- 1) Accredited calibration certificate (ISO 17025)
- 2) Model 6200 mounting stud, qty 1

Notes:

- [1] Measured at 100Hz, 1 Grms per ISA RP 37.2.
- [2] Measure using zero-based straight line method, % of F.S. or any lesser range.
- [3] Do not apply power to this system without current limiting, 20 mA MAX. To do so will destroy the IC charge amplifier.
- [4] In the interest of constant product improvement, we reserve the right to change specifications without notice.



Units on the line drawing are in inches, units in brackets are in millimeters. Refer to 127-3055D for more information.



21592 Marilla Street, Chatsworth, California 91311 Phone: 818.700.7818 Fax: 818.700.7880 www.dytran.com
For permission to reprint this content, please contact info@dytran.com