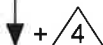
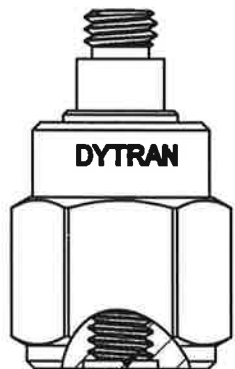


PROPRIETARY AND CONFIDENTIAL

THE INFORMATION CONTAINED IN THIS DRAWING IS THE SOLE PROPERTY OF DYTRAN INSTRUMENTS INC. ANY REPRODUCTION IN PART OR AS A WHOLE WITHOUT THE WRITTEN PERMISSION OF DYTRAN INSTRUMENTS INC. IS PROHIBITED

REVISIONS

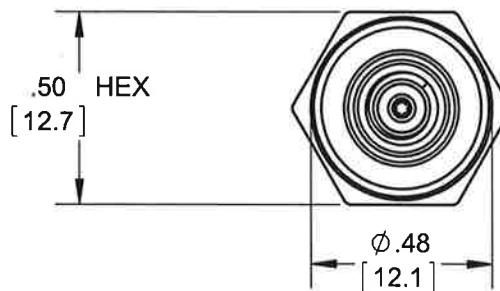
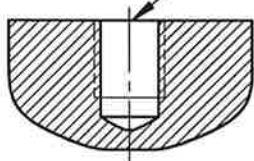
REV	ECN	DESCRIPTION	BY/DATE	CHK	APPR
B	10761	REVISED LASER MARKING, SEE ECN	EC 02/26/14	AS	DV
C	11863	REDESIGNED WITH CHANGES	RA, 06/04/14	EM	W



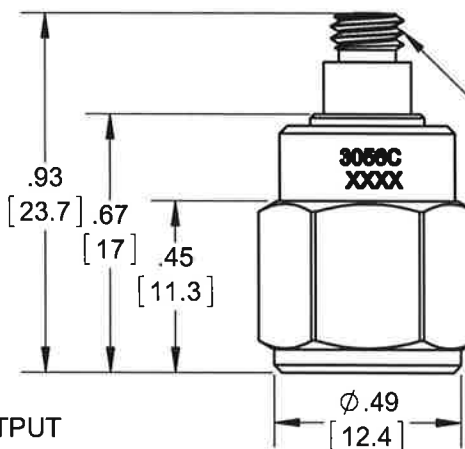
10-32 UNF-2B

MODEL 6200 MOUNTING STUD, 10-32 TO 10-32

RECOMMENED MOUNTING PREP:
PREPARE FLAT MOUNTING SURFACE,
Ø.60 [15.2] MIN., FLAT TO .001 TIR.
TAP 10-32 UNF-2B ∇ .25 [6.4] MIN.
MOUNTING TORQUE: 10-15 Lb-in.



10-32 UNF-2A COAXIAL CONNECTOR



BACK VIEW

- 5 MATES WITH DYTRAN CABLE MODEL 6010AXX & 6011AXX.
- 4 ARROW INDICATES DIRECTION OF ACCELERATION FOR POSITIVE OUTPUT
- 3. WEIGHT: 10 GRAMS MAX.
- 2. SENSITIVITY: 15pC/G
- 1. HOUSING/CONNECTOR MATERIAL: TITANIUM ALLOY

NOTES: UNLESS OTHERWISE SPECIFIED

USED ON	NEXT ASSY
APPLICATION	
THIRD ANGLE PROJECTION USA	

UNLESS OTHERWISE SPECIFIED:
INTERPRET DIM & TOL PER ASME Y14.5M - 1994.
REMOVE BURRS.
COUNTERSINK INTERNAL THDS 90° TO MAJOR DIA.
CHAM EXT THDS 45° TO MINOR DIA.
THD LENGTHS AND DEPTHS ARE FOR MIN FULL THDS.
THDS PER MIL-S-7742.
DIMENSIONS APPLY AFTER FINISHING.

ALL MACHINED SURFACES. TOTAL RUNOUT WITHIN .005. BREAK SHARP EDGES .005 TO .010. MACHINED FILLET RADII .005 TO .015. WELDING SYMBOLS PER AWS A2.4. ABBREVIATIONS PER MIL-STD-12.

UNLESS OTHERWISE SPECIFIED:
DIMENSIONS ARE IN INCHES. DIMENSIONS IN BRACKETS [] ARE IN MILLIMETERS
TOLERANCES ARE:
INCHES METRIC ANGLES
.XX ± .03 .X ± 0.8 ± 1°
.XXX ± .010 .XX ± 0.25

MATERIAL

FINISH

DO NOT SCALE DRAWING

CONTRACT NO.	
APPROVALS	DATE
ORIG	RA 01/15/03
CHK	EM 12/12/14
APP	DV 12/17/14
APP	DV 06/26/14

Chatsworth, CA

TITLE: **OUTLINE/INSTALLATION, MODEL 3056C**

SIZE A	CAGE CODE 2W033	DWG. NO. 127-3056C	REV C
SCALE: 2:1	SOLIDWORKS	SHEET 1 OF 1	

MODEL NUMBER 3056C	PERFORMANCE SPECIFICATION	DOC NO. PS3056C
-------------------------------------	----------------------------------	----------------------------------

	Accelerometer, Charge Mode	REV D, ECN 14885, 02/04/19
--	-----------------------------------	----------------------------



- HERMETICALLY SEALED
- HIGH CHARGE OUTPUT
- ROBUST DESIGN
- BASE ISOLATED

PHYSICAL

		ENGLISH			SI
Weight		0.35	oz	10.0	grams
Connector [1]	Type	Coaxial		Coaxial	
	Material	Titanium		Titanium	
Housing	Material	Titanium		Titanium	
Sensing Element	Material	Ceramic		Ceramic	
	Mode	Shear		Shear	

PERFORMANCE

Sensitivity, ± 15% [2]	15	pC/g	1.53	pC/m/s ²
Acceleration Range [3]	[3]	Gpeak	[3]	m/s ² peak
Frequency Range, ±5%	[5] 5000	Hz	[5] 5000	Hz
Resonance Frequency	32	kHz	32	kHz
Linearity [4]	±1	%	±1	%
Transverse Sensitivity Max	5	%	5	%

ENVIRONMENTAL

Shock Max	5000	g pk	49050	m/s ²
Vibration Max	600	g pk	5886	m/s ²
Operating Temperature	-60 to +375	°F	-51 to +190	°C
Seal	Hermetic		Hermetic	
Coefficient of Thermal Sensitivity	0.06	%/°F	0.11	%/°C

ELECTRICAL

Capacitance, nom	975	pF	975	pF
Electrical Isolation	10	GΩ, min	10	GΩ, min

This family also includes:

Model	Sensitivity (pC/g)	Range (Gpeak)	Resolution (Grms)	Oper. Temp(°F)

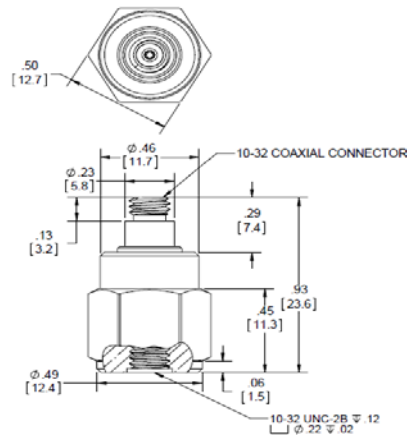
Please, refer to the performance specifications of the products in this family for detailed description

Supplied Accessories:

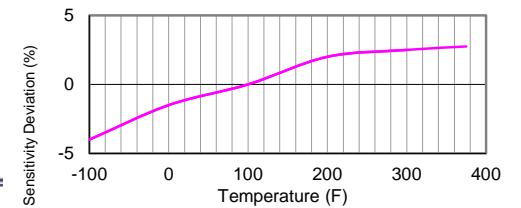
- 1) Model 6200 Mounting Stud
- 2) Accredited Calibration Certificate (ISO 17025)

Notes:

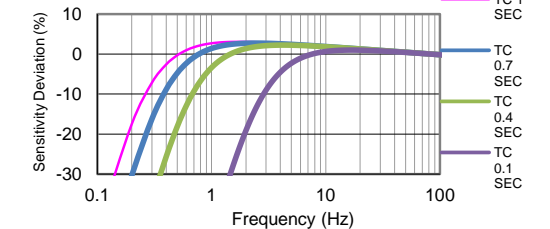
- [1] Mates with Dytran cable Model 6013AXX or 6019AXX (XX= Length in feet).
- [2] Measured At 100 Hz, 1 Grms per ISA RP 37.2
- [3] Depends On the Gain Setting Of The Charge Amplifier Used
- [4] Measured using zero-based best straight line method, % of F.S. or any lesser calibrated range.
- [5] Low Frequency Response Is the Function Of the Discharge Time Constant Of The Charge Amplifier Used. Please, Refer To The Plot Below For Frequency Response For Different Time Constants



TYPICAL SENSITIVITY RESPONSE OVER TEMPERATURE



TYPICAL LOW FREQUENCY RESPONSE



Units on the line drawing are in inches, units in brackets are in millimeters. Refer to 127-3056C for more



21592 Marilla Street, Chatsworth, California 91311 Phone: 818.700.7818 Fax:818.700.7880 www.dytran.com For permission to reprint this content, please contact info@dytran.com