

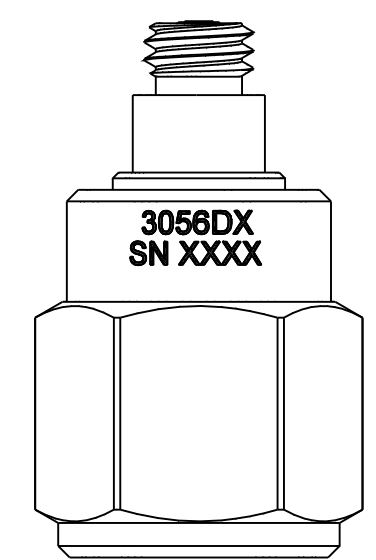
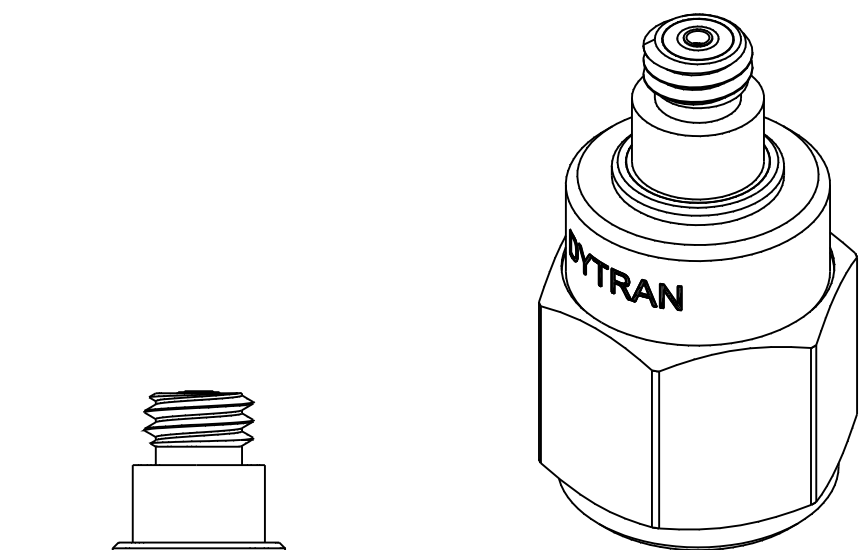
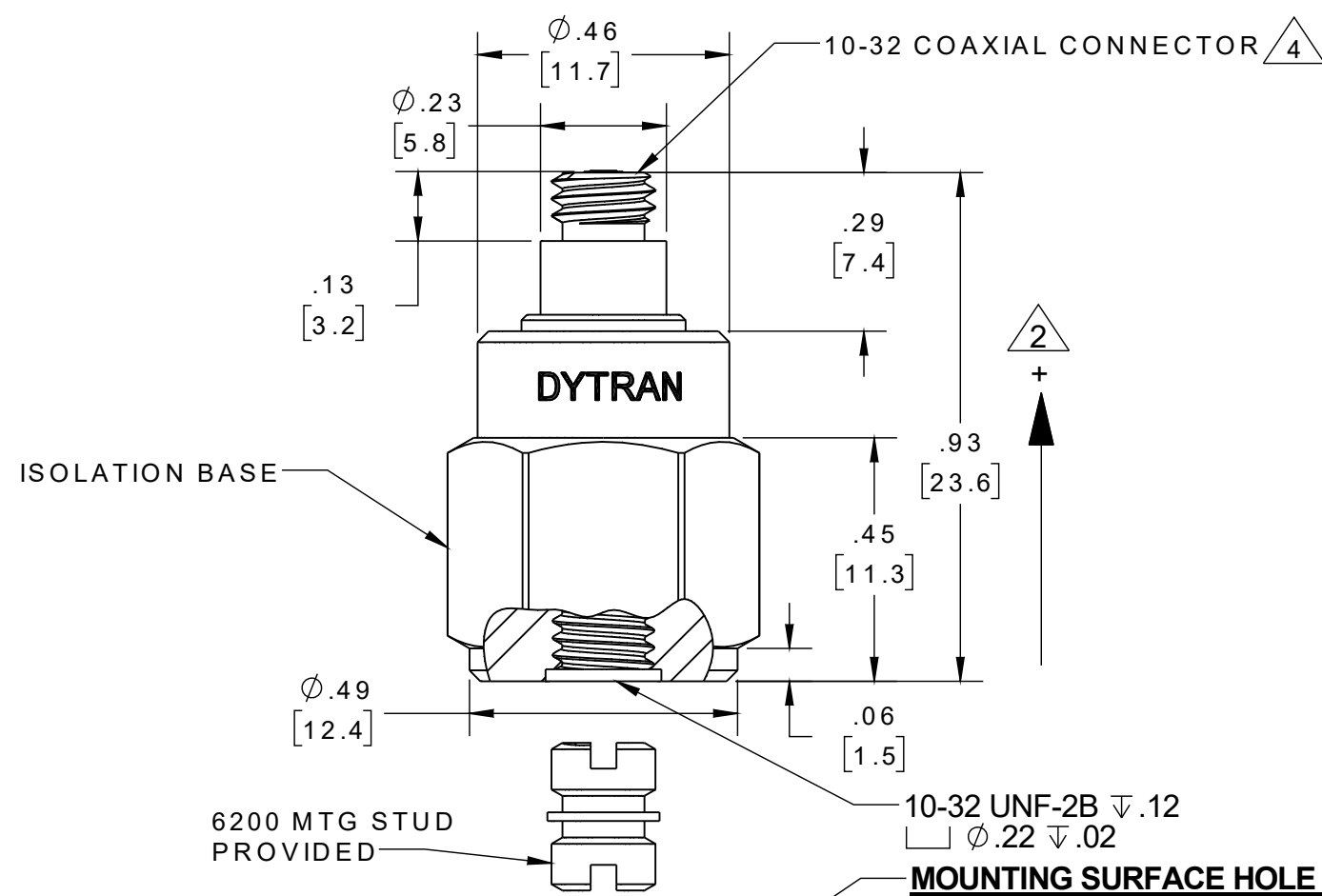
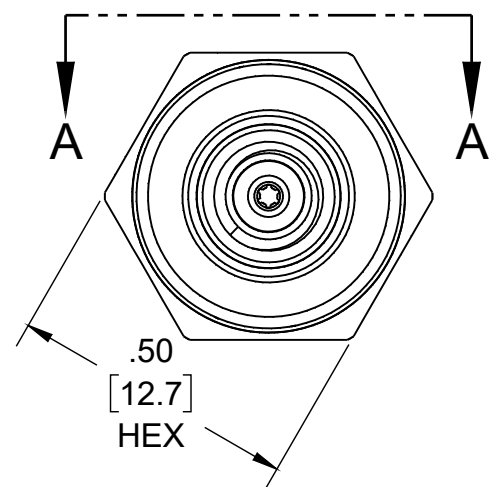
PROPRIETARY AND CONFIDENTIAL

THE INFORMATION CONTAINED IN THIS DRAWING IS THE SOLE PROPERTY OF DYTRAN INSTRUMENTS INC. ANY REPRODUCTION IN PART OR AS A WHOLE WITHOUT THE WRITTEN PERMISSION OF DYTRAN INSTRUMENTS INC. IS PROHIBITED

MODEL	SENSITIVITY
3056D9	10 mV/g
3056D10	20 mV/g
3056D11	50 mV/g
3056D12	100 mV/g
3056D13	200 mV/g
3056D14	500 mV/g

REVISIONS

REV.	ECN	DESCRIPTION	BY/DATE	CHK	APPR
A	14614	INITIAL RELEASE	KG 12/08/20	RA	DV



SECTION A-A  
180.00°

**MOUNTING SURFACE HOLE PREPARATION:**  
SELECT SURFACE FLAT TO .001 TIR  
TAP 10-32 UNF-2B X .200 MIN THD DEPTH

- 5. OPERATING TEMPERATURE: -67°F TO +320°F [-55°C TO +160°C]
  - 4. MATES WITH DYTRAN 6010AXX OR 6011AXX CABLE (XX=LENGTH IS FEET)
  - 3. WEIGHT: 10 GRAMS (APPROX)
  - 2. ARROW INDICATES ACCELERATION DIRECTION FOR POSITIVE OUTPUT.
  - 1. MATERIAL: TITANIUM ALLOY
- NOTES: UNLESS OTHERWISE SPECIFIED

UNLESS OTHERWISE SPECIFIED: INTERPRET DIM & TOL PER ASME Y14.5M - 1994. REMOVE BURRS. COUNTERSINK INTERNAL THDS 90° TO MAJOR DIA. CHAM EXT THDS 45° TO MINOR DIA. THD LENGTHS AND DEPTHS ARE FOR MIN FULL THDS. DIMENSIONS APPLY AFTER FINISHING.

APPROVALS		DATE
ORIG	KG	12/08/20
CHK		
APP		

ALL MACHINED SURFACES: TOTAL RUNOUT WITHIN .005. BREAK SHARP EDGES .005 TO .010. MACHINED FILLET RADII .005 TO .015. WELDING SYMBOLS PER AWS A2.4. ABBREVIATIONS PER MIL-STD-12.

UNLESS OTHERWISE SPECIFIED: DIMENSIONS ARE IN INCHES. TOLERANCES ARE:

DECIMALS	METRIC	ANGLES
.XX ±.03	.X ±.08	±1°
.XXX ±.010	.XX ±0.25	

DO NOT SCALE DRAWING

**DYTRAN INSTRUMENTS, INC.** Chatsworth, CA

TITLE: **OUTLINE/INSTALLATION DWG, SINGLE AXIS ACCEL, 320F, ISOLATED, 3056D9 SERIES**

SIZE <b>B</b>	CAGE CODE <b>2W033</b>	DWG NO <b>127-3056D9</b>	REV <b>A</b>
SCALE: 3:1	PART NO:	SHEET 1 OF 1	

<b>Model Number</b> 3056D14	<b>PERFORMANCE SPECIFICATIONS</b>	<b>DOC NO</b> PS3056D14
--------------------------------	-----------------------------------	----------------------------

REV B, ECN 16090, 03/02/21



- **-67 °F TO +325°F OPERATION**
- **BASE ISOLATED**
- **IDEAL LOW FREQUENCY RESPONSE**
- **HERMETICALLY SEALED**

**PHYSICAL**

Weight  
Connector Type  
Mounting Provision Tapped Hole  
Material, Housing/Connector  
Sensing Element  
Element Style

ENGLISH		SI	
0.35	oz	10	grams
10-32		10-32	
10-32 Tapped hole		10-32 Tapped hole	
Titanium		Titanium	
Ceramic		Ceramic	
Planar Shear		Planar Shear	

**PERFORMANCE**

Sensitivity, ± 5% [2]  
Range for ± 5 Volts Output  
Frequency Response, ± 5%  
Frequency Response, ± 10%  
Resonant Frequency  
Broad Band Resolution  
Linearity [3]  
Maximum Transverse sensitivity  
Strain Sensitivity @ 250µε

500	mV/g	51.0	mV/m/s <sup>2</sup>
±10	g pk	±98	m/s <sup>2</sup> pk
1 to 5000	Hz	1 to 5000	Hz
1 to 10000	Hz	1 to 10000	Hz
> 36	kHz	> 36	kHz
0.0003	g RMS	0.003	m/s <sup>2</sup> RMS
±1	% F.S.	±1	% F.S.
5	%	5	%
0.001	g/µε	0.01	m/s <sup>2</sup> /µε

**ENVIRONMENTAL**

Maximum Shock  
Temperature Range  
Seal

±2,000	g pk	19620	m/s <sup>2</sup> pk
-67 to +325	°F	-55 to +163	°C
Hermetic		Hermetic	

**ELECTRICAL**

Supply Current Range [4]  
Compliance Voltage Range  
Output Impedance, Typ  
Bias Voltage  
Discharge Time Constant  
Electrical Isolation

2 to 20	mA	2 to 20	mA
+18 to +30	Volts	+18 to +30	Volts
100	Ω	100	Ω
+10 to +13	VDC	+10 to +13	VDC
0.5 to 1.5	Sec	0.5 to 1.5	Sec
10	GΩ, min	10	GΩ, min

**IEPE ACCELEROMETER**

**This family also includes:**

Model	Sensitivity (mV/g)	Frequency Response, ±10% (Hz)	Time Constant (Sec)	Operating Temp (°F)
3056D9	10	1 to 10000	0.5 to 1.5	-67 to +325
3056D10	20	1 to 10000	0.5 to 1.5	-67 to +325
3056D11	50	1 to 10000	0.5 to 1.5	-67 to +325
3056D12	100	1 to 10000	0.5 to 1.5	-67 to +325
3056D13	200	1 to 10000	0.5 to 1.5	-67 to +325

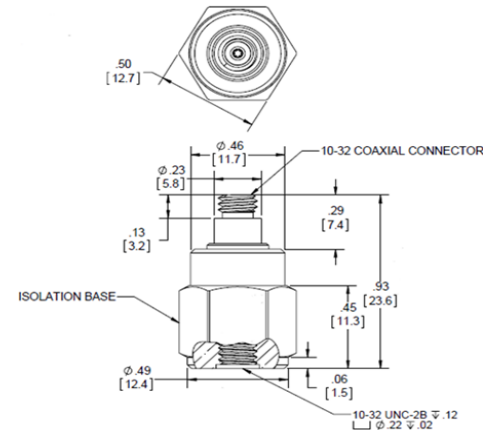
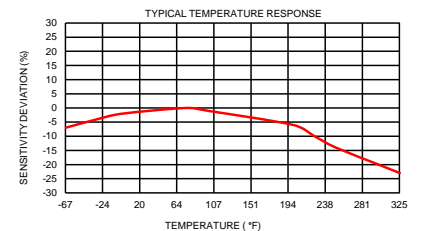
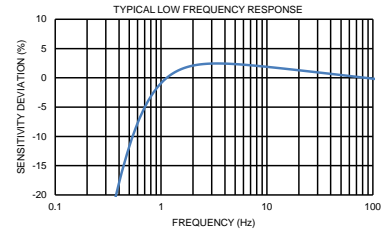
Refer to the performance specifications of the products in this family for detailed description

**Supplied Accessories:**

- 1) Accredited calibration certificate (ISO 17025)
- 2) Model 6200 mounting stud, Qty. 1

**Notes:**

- [1] All specifications are at room temperature unless otherwise specified.
- [2] Measured at 100Hz, 1 g RMS per ISA RP 37.2.
- [3] Measure using zero-based straight line method, % of F.S. or any lesser range.
- [4] Do not apply power to this system without current limiting, 20 mA MAX. To do so will destroy the IC charge amplifier.
- [5] In the interest of constant product improvement, we reserve the right to change specifications without notice. It is the customer's responsibility to validate that a particular product with the properties described in the product specification is suitable for use in a particular application. Parameters provided in datasheets and / or specifications may vary in different applications and performance may vary over time. All operating parameters, including typical parameters, must be validated for each customer application by the customer's technical experts.



Units on the line drawing are in inches, units in brackets are in millimeters. Refer to 127-3056D9 for more information.



21592 Marilla Street, Chatsworth, California 91311 Phone: 818.700.7818 Fax: 818.698.0362 www.dytran.com  
For permission to reprint this content, please contact info@dytran.com