

PROPRIETARY AND CONFIDENTIAL

THE INFORMATION CONTAINED IN THIS DRAWING IS THE SOLE PROPERTY OF DYTRAN INSTRUMENTS INC. ANY REPRODUCTION IN PART OR AS A WHOLE WITHOUT THE WRITTEN PERMISSION OF DYTRAN INSTRUMENTS INC. IS PROHIBITED

MODEL

MARKING 



3059A

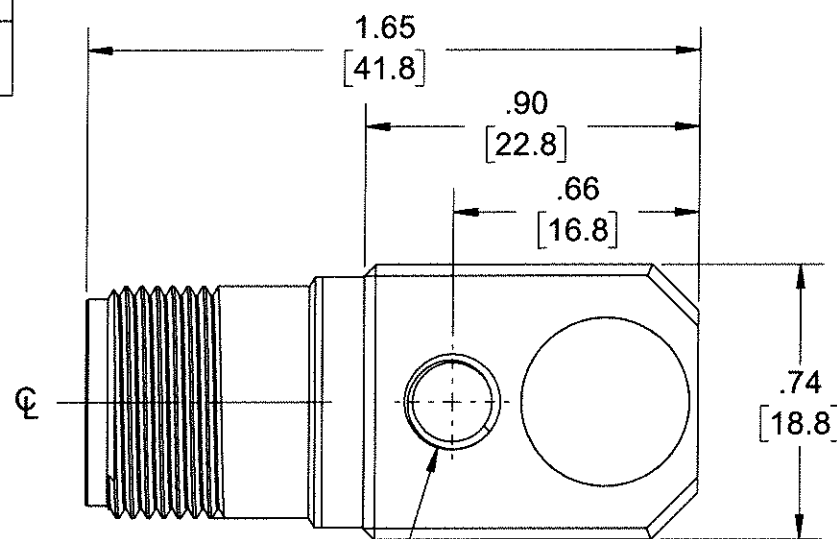
DYTRAN
3059A
S/N XXX

3059AU

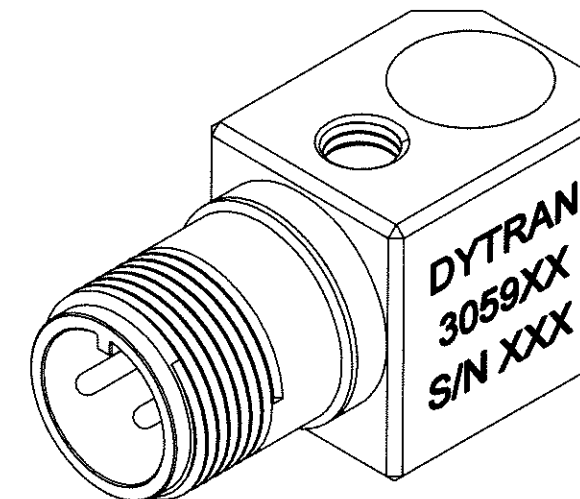
NO MARKING

REVISIONS

REV.	ECN	DESCRIPTION	BY/DATE	CHK	APPR
A	14518	REDRAWN TO NEW DRAWING STANDARD. ZONE D/3: DIM: IS: 1.65 [41.8]; WAS: 1.73 [43 MM]. ZONE B/3: DIM: IS: .28 [7.1]; WAS: .16 [22 MM]. ADDED MARKING & VARIATION TABLE. MOUNTING RECOMMENDATIONS: IS: "DRILL #3 (ϕ .213) ∇ .40 [10.2] / TAP 1/4-28 UNF-2B ∇ .30 [7.6]"; WAS: "DRILL #3 (ϕ .213) X .360 DEEP / TAP 1/4-285 UNF-2B X .250 DEEP". ADDED NOTES 2-6. REMOVED NOTE 1.	KG 09/20/18		



1/4-28 UNF-2B ∇ .10
 ϕ .26 THRU

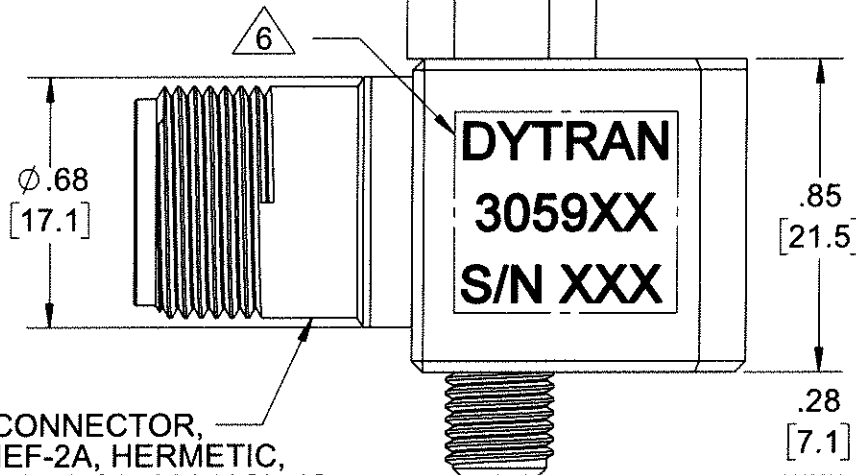


MASTER KEY

SIG PWR

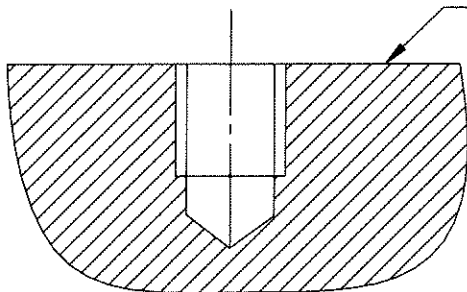
GND

.46
[11.7]




10SL-4P CONNECTOR,
5/8-24 UNEF-2A, HERMETIC,
MATES WITH MS3106A10SL-4S

MOUNTING RECOMMENDATION:
PREPARE MOUNTING SURFACE FLAT TO .001 TIR.
DRILL #3 (ϕ .213) ∇ .40 [10.2]
TAP 1/4-28 UNF-2B ∇ .30 [7.6] MIN.



 SEE TABLE FOR MARKING.

 MOUNTING SCREW MODEL 6184, 1/4-28 X 1.13" LONG, QTY: 1, SUPPLIED.

- 4. TEMPERATURE RANGE: -51°C TO +121°C (-60°F TO +250°F)
- 3. HOUSING AND CONNECTOR MATERIAL: 304L SS, HERMETICALLY SEALED.
- 2. WEIGHT: 74 GRAMS, MAX.
- 1. DELETED.

NOTES: UNLESS OTHERWISE SPECIFIED

UNLESS OTHERWISE SPECIFIED:
INTERPRET DIM & TOL PER
ASME Y14.5M - 1994.
REMOVE BURRS.
COUNTERSINK INTERNAL THDS
90° TO MAJOR DIA.
CHAM EXT THDS 45° TO MINOR DIA.
THD LENGTHS AND DEPTHS ARE FOR
MIN FULL THDS.
DIMENSIONS APPLY AFTER FINISHING.

ALL MACHINED SURFACES.
TOTAL RUNOUT WITHIN .005.
BREAK SHARP EDGES .005 TO .010.
MACHINED FILLET RADII .005 TO .015.
WELDING SYMBOLS PER AWS A2.4.
ABBREVIATIONS PER MIL-STD-12.

UNLESS OTHERWISE SPECIFIED:
DIMENSIONS IN BRACKETS [] ARE IN
MILLIMETERS TOLERANCES ARE:

DECIMALS	METRIC	ANGLES
.XX ±.03	X ±0.8	±1°
.XXX ±.010	XX ±0.25	

APPROVALS		DATE
ORIG	RA	02/17/04
CHK	NC	02/17/04
APP	PML	03/09/06

DO NOT SCALE DRAWING



MASTER
ONLY IF IN RED
Chatsworth, CA

TITLE: **OUTLINE/INSTALLATION
DRAWING, MODEL 3059A**

SIZE B	CAGE CODE 2W033	DWG NO 127-3059A	REV A
---------------	------------------------	-------------------------	--------------

SCALE: 2:1 SHEET 1 OF 1



- HERMETICALLY SEALED
- HIGH SENSITIVITY

PHYSICAL

Weight, Max	Type
Connector	Thru Hole
Mounting Provision	
Material, Housing/Connector	
Sensing Element	Ceramic

ENGLISH		SI	
2.59	oz	74.0	grams
2 PIN, MIL 10SL- 4P		2 PIN, MIL 10SL- 4P	
1/4-28 UNF-2B		1/4-28 UNF-2B	mm
300 Series S.S.		300 Series S.S.	
Shear		Shear	

PERFORMANCE

Sensitivity, ±10% [1]	100	mV/g	10	mV/m/s ²
Range for ± 5 Volts Output	50	g	491	m/s ²
Frequency Response, ± 5%	0.3 - 8,000	Hz	0.3 - 8,000	Hz
Resonant Frequency	21	kHz	21	kHz
Broad Band Resolution, Max	0.0006	Grms	0.006	m/s ² rms
Linearity [2]	2	% F.S.	2	% F.S.
Maximum Transverse sensitivity	5	%	5	%
Strain Sensitivity @ 250µε	0.001	g/µε	0.01	m/s ² /µε

ENVIRONMENTAL

Maximum Vibration	350	Gpeak	3434	m/s ² peak
Maximum Shock	3000	Gpeak	29430	m/s ² peak
Temperature Range	-60 to 250	°F	-51 to 121	°C
Seal	HERMETIC		HERMETIC	

ELECTRICAL

Supply Current Range [3]	2 to 20	mA	2 to 20	mA
Compliance Voltage Range	+20 to +30	Volts	+20 to +30	Volts
Output Impedance, Nom.	200	Ω	200	Ω
Bias Voltage	11 to 13	VDC	11 to 13	VDC
Discharge Time Constant	0.5 to 1.2	Sec	0.5 to 1.2	Sec
Electrical Isolation	10	MQ,min	10	MQ,min

This family also includes:

Model	Sensitivity (mV/g)	Frequency Response (Hz)	Time Constant (Sec)	Operating Temp (°F)

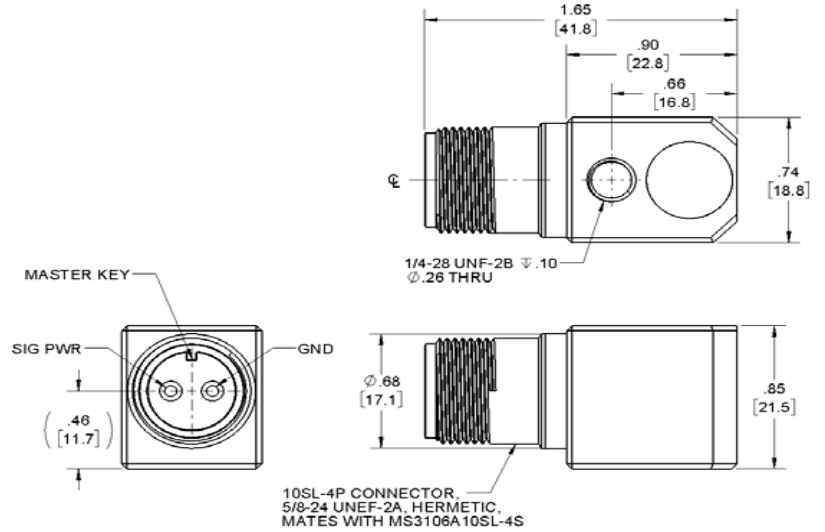
Refer to the performance specifications of the products in this family for detailed description

Supplied Accessories:

- 1) Accredited calibration certificate (ISO 17025)
- 2) 6184 Mounting Bolt

Notes:

- [1] Measured at 100 Hz, 1 Grms per ISA RP 37.2.
- [2] Measured using zero-based straight line method, % of F.S. or any lesser range.
- [3] Do not apply power to this system without current limiting, 20 mA MAX. To do so will destroy the IC charge amplifier.



Units on the line drawing are in inches, units in brackets are in millimeters. Refer to 127-3059A for more information.

