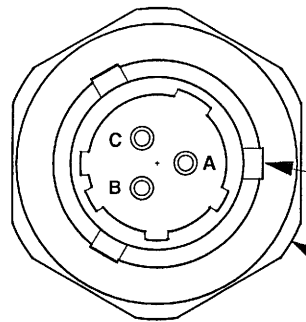


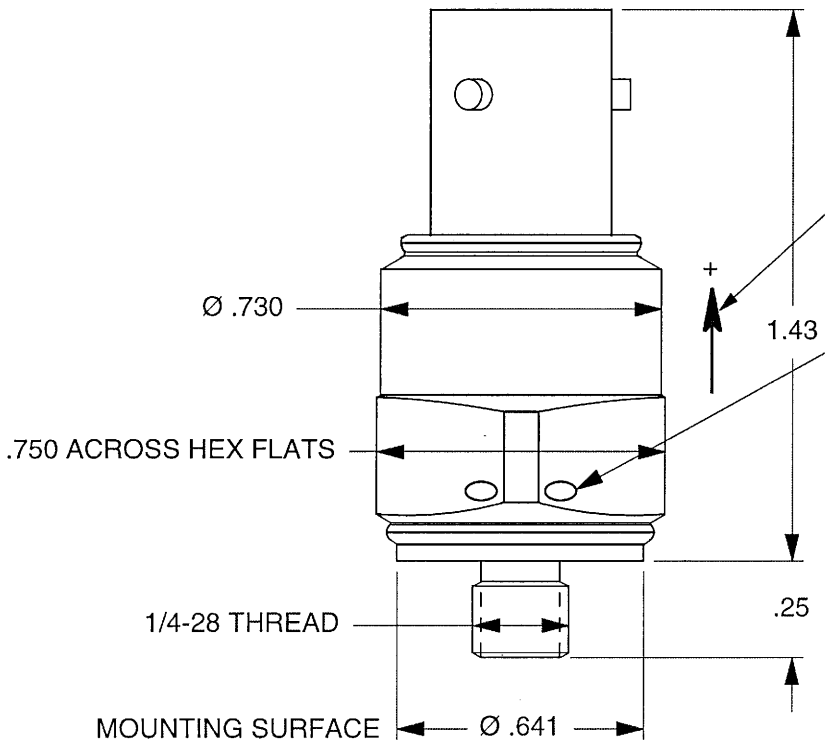
MODEL NUMBER	SENSITIVITY
3062A	10 mV/G
3062A1	25 mV/G

**PINOUT:**  
 PIN A-CASE GROUND  
 PIN B-SIG/PWR GND RET  
 PIN C-SIG/PWR



3-PIN BAYONET STYLE  
 MS3443H898PN CONNECTOR,  
 HERMETIC. SEE NOTE 6 FOR MATING  
 CONNECTOR SUGGESTIONS.

Ø .811, HEX CORNERS

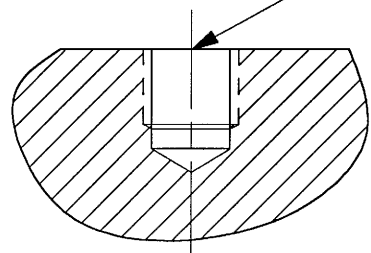


ARROW INDICATES SENSE AND  
 DIRECTION OF ACCELERATION FOR  
 POSITIVE-GOING OUTPUT VOLTAGE

.047 DIA LOCKWIRE HOLES,  
 TYP 2 HOLES

**MOUNTING SURFACE  
 PREPARATION:**

PREPARE FLAT CIRCULAR AREA  
 APPROX. Ø.750, FLAT TO WITHIN  
 .0005 T.I.R. AT CENTER, DRILL  
 Ø.213 X .320 DEEP MIN  
 BOTTOM TAP 1/4-28 UNF-2B X  
 .270 DEEP MIN



6. TYPICAL MATING CONNECTORS ARE: MS3476W898SN (STANDARD PLUG, CADMIUM FINISH). FOR PLUG W/RFI FINGERS: MS3475 W898SN. OTHER VARIATIONS ARE AVAILABLE.
5. MATERIAL, BODY & CONNECTOR: 300 SERIES STAINLESS STEEL.
4. SENSING ELEMENT: QUARTZ SHEAR.
3. POWER/SIGNAL GROUND INSULATED FROM OUTER CASE. INSUL. RES: > 10 MEGOHMS.
2. SEALING: HERMETIC.
1. WEIGHT: MODEL 3062A: 37 GRAMS. (A)  
 MODEL 3062A1: 40 GRAMS. (A)

		REV B		DATE 2-10-03	ECN -	CHATSWORTH, CA.	
		SCALE 2X	DATE 9/3/96	PART NO. MODELS 3062A & 3062A1			
DRAWN N.C.	CHECKED D.Z.	MATERIAL					
APPROVED <i>4-8-05</i>		NEXT ASSEMBLY		USED ON			
TITLE <b>OUTLINE/INSTALLATION DRAWING,          MODELS 3062A &amp; 3062A1</b>						DWG NO. <b>127-3062A</b>	
SHEET 1 OF 1							

<b>Model Number</b> 3062A1	<b>PERFORMANCE SPECIFICATION</b>	<b>DOC NO</b> PS3062A1
	<b>HIGH FREQUENCY IEPE ACCELEROMETERS</b>	REV A, ECN 7470, 04/21/11



- HIGH FREQUENCY PERFORMANCE
- EXCELLENT LINEARITY
- ELECTRICALLY ISOLATED
- HERMETICALLY SEALED

**PHYSICAL**  
Weight, Max  
Connector  
Type  
Pins[1]  
Mounting Provision : Integral Stud  
Material : Housing, Base and Connector  
Element Style

ENGLISH		SI	
1.40	oz	40	grams
Bayonet Style		Bayonet Style	
3 PIN		3 PIN	
1/4 - 28 UNF-2A Stud		1/4 - 28 UNF-2A Stud	
300 Series Stainless Steel		300 Series Stainless Steel	
Single Crystal Shear		Single Crystal Shear	

**PERFORMANCE**  
Sensitivity, ±5% [2]  
Range F.S for ± 5 Volts Output  
Frequency Range  
±5%  
±15%  
Resonant Frequency  
Equivalent Electrical Noise Floor  
Linearity [3]  
Maximum Transverse sensitivity  
Strain Sensitivity

25	mV/g	2.55	mV/m/s <sup>2</sup>
±200	g	±1962	m/s <sup>2</sup>
0.48 to 10000	Hz	0.48 to 10000	Hz
0.25 to 15000	Hz	0.25 to 15000	Hz
>30	kHz	>30	kHz
0.012	Grms	0.118	m/s <sup>2</sup> rms
± 1%	% F.S.	± 1%	% F.S.
5	%	5	%
0.004	g/με	0.04	m/s <sup>2</sup> /με

**ENVIRONMENTAL**  
Maximum Vibration  
Maximum Shock  
Temperature Range  
Seal

±600	G's,peak	±5886	m/s <sup>2</sup> peak
±3000	G's,peak	±29430	m/s <sup>2</sup> peak
-60 to +305	°F	-54 to 152	°C
Hermetic		Hermetic	

**Electrical**  
Supply Current Range [4]  
Compliance Voltage Range  
Output Impedance, Typ  
Bias Voltage  
Discharge Time Constant  
Output Signal Polarity for Acceleration Towards Top  
Electrical Isolation, Ground (Pin B) to case (pin A)

2 to 20	mA	2 to 20	mA
+ 18 to +30	Volts	+ 18 to +30	Volts
100	Ω	100	Ω
+7.5 to +9.5	VDC	+7.5 to +9.5	VDC
1.0 to 1.8	Sec	1.0 to 1.8	Sec
Positive		Positive	
10	GΩ,min	10	GΩ,min

**This family also includes:**

Model	Sensitivity	Range F.S ± 5 Volts	Max Vibration/Shock	Resonant Frequency

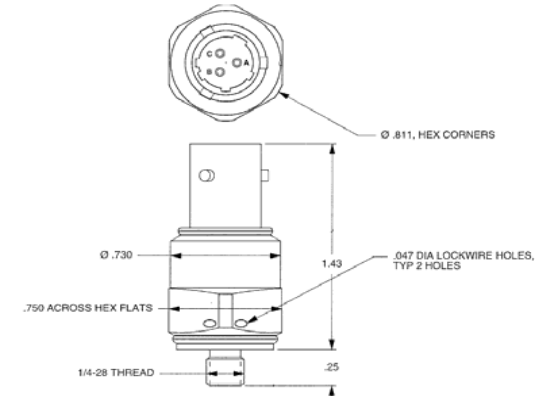
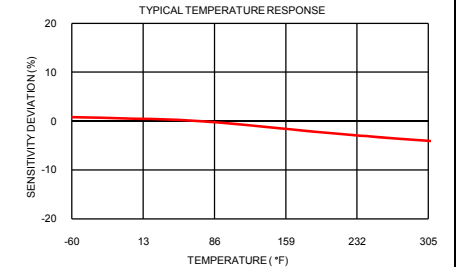
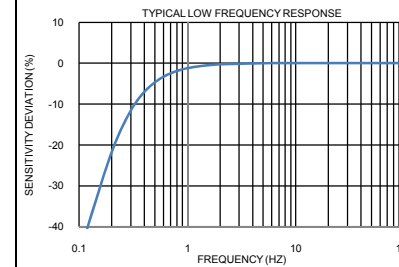
Refer to the performance specifications of the products in this family for detailed description.

**Supplied Accessories:**

- 1) Accredited calibration certificate (ISO 17025)

**Notes:**

- [1] Pin A-caseground, Pin B - sig/pwr return, Pin C - sig/pwr
- [2] Measure at 100Hz, 1 Grms per ISA RP 37.2
- [3] Measured using zero-based straight line method, percentage of F.S. or any lesser range.
- [4] Do not apply power to this system without current limiting, 20 mA MAX. To do so will destroy the IC charge amplifier.
- [5] Lock wire holes are included in the base
- [6] In the interest of constant product improvement, we reserve the right to change specifications without notice.



Units on the line drawing are in inches, units in brackets are in millimeters. Refer to 127-3062A1 for more information.



21592 Marilla Street, Chatsworth, California 91311 Phone: 818.700.7818 Fax: 818.700.7880 www.dytran.com  
For permission to reprint this content, please contact info@dytran.com