

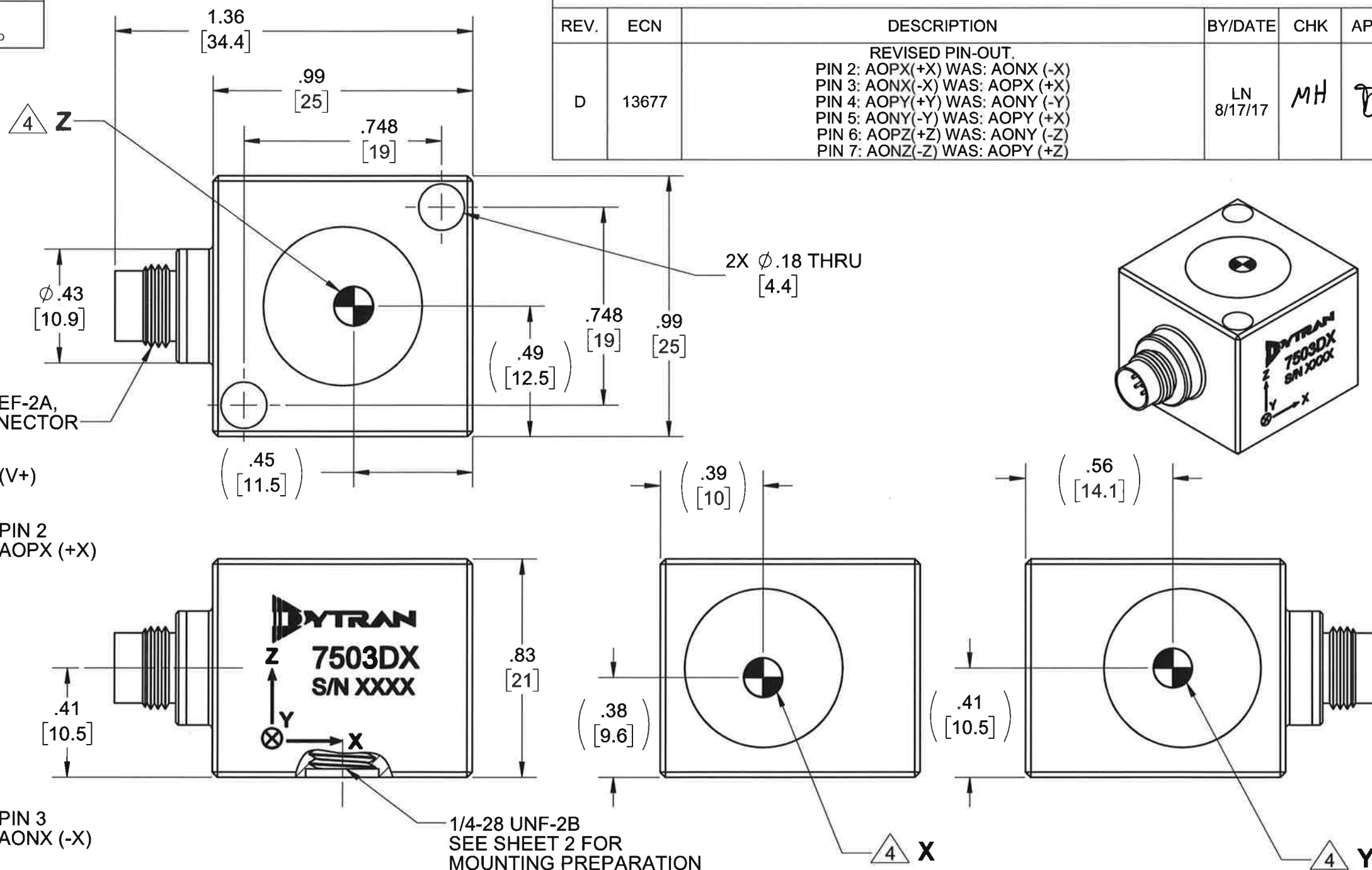
PROPRIETARY AND CONFIDENTIAL

THE INFORMATION CONTAINED IN THIS DRAWING IS THE SOLE PROPERTY OF DYTRAN INSTRUMENTS INC. ANY REPRODUCTION IN PART OR AS A WHOLE WITHOUT THE WRITTEN PERMISSION OF DYTRAN INSTRUMENTS INC. IS PROHIBITED

REVISIONS

REV.	ECN	DESCRIPTION	BY/DATE	CHK	APPR
D	13677	REVISED PIN-OUT. PIN 2: AOPX(+X) WAS: AONX (-X) PIN 3: AONX(-X) WAS: AOPX (+X) PIN 4: AOPY(+Y) WAS: AONY (-Y) PIN 5: AONY(-Y) WAS: AOPY (+X) PIN 6: AOPZ(+Z) WAS: AONY (-Z) PIN 7: AONZ(-Z) WAS: AOPY (+Z)	LN 8/17/17	MH	

MODEL	INPUT RANGE, X & Y AXES	INPUT RANGE, Z AXIS
7503D1	±2g	±2g
7503D2	±5g	±5g
7503D3	±10g	±10g
7503D4	±25g	±25g
7503D5	±50g	±50g
7503D6	±100g	±100g
7503D7	±200g	±200g
7503D8	±400g	±400g
7503D9	±5g	±25g
7503D10	±5g	±50g



5. MINOR VOIDS, SCARS, SCRATCHES AND MOUNTING BLEMISH/WITNESS MARKS ON EXTERIOR SURFACES ARE ALLOWED DUE TO RESTRAINING AND HANDLING DURING TESTING, TRANSPORT OR PROCESSING. THESE APPEAR AS INDICATORS THAT DO NOT AFFECT FORM, FIT OR FUNCTION AS INTENDED BY DESIGN OR APPLICATION

4 MARKING DENOTES LOCATION OF SENSING ELEMENT'S CENTER OF MASS

3 MATES WITH DYTRAN 6964AXX CABLE (XX DENOTES LENGTH IN FT)

2. WEIGHT: 38 GRAMS, MAX.

1. MATERIAL: TITANIUM ALLOY.

NOTES: UNLESS OTHERWISE SPECIFIED

UNLESS OTHERWISE SPECIFIED:
INTERPRET DIM & TOL PER ASME Y14.5M - 1994.
REMOVE BURRS.
COUNTERSINK INTERNAL THDS 90° TO MAJOR DIA.
CHAM EXT THDS 45° TO MINOR DIA.
THD LENGTHS AND DEPTHS ARE FOR MIN FULL THDS.
DIMENSIONS APPLY AFTER FINISHING.

ALL MACHINED SURFACES.
TOTAL RUNOUT WITHIN .005.
BREAK SHARP EDGES .005 TO .010.
MACHINED FILLET RADII .005 TO .015.
WELDING SYMBOLS PER AWS A2.4.
ABBREVIATIONS PER MIL-STD-12.

DECIMALS		METRIC		ANGLES	
.XX ±.03	.X ±0.8	.XX ±.025	.XX ±0.25	±1°	
.XXX ±.010					
APPROVALS		DATE			
ORIG	LN	12/01/14			
CHK	JS	02/12/15			
APP	DV	02/16/15			
DO NOT SCALE DRAWING		THIRD ANGLE PROJECTION USA			

DYTRAN MASTER
INSTRUMENTS, INC. Chatsworth, CA

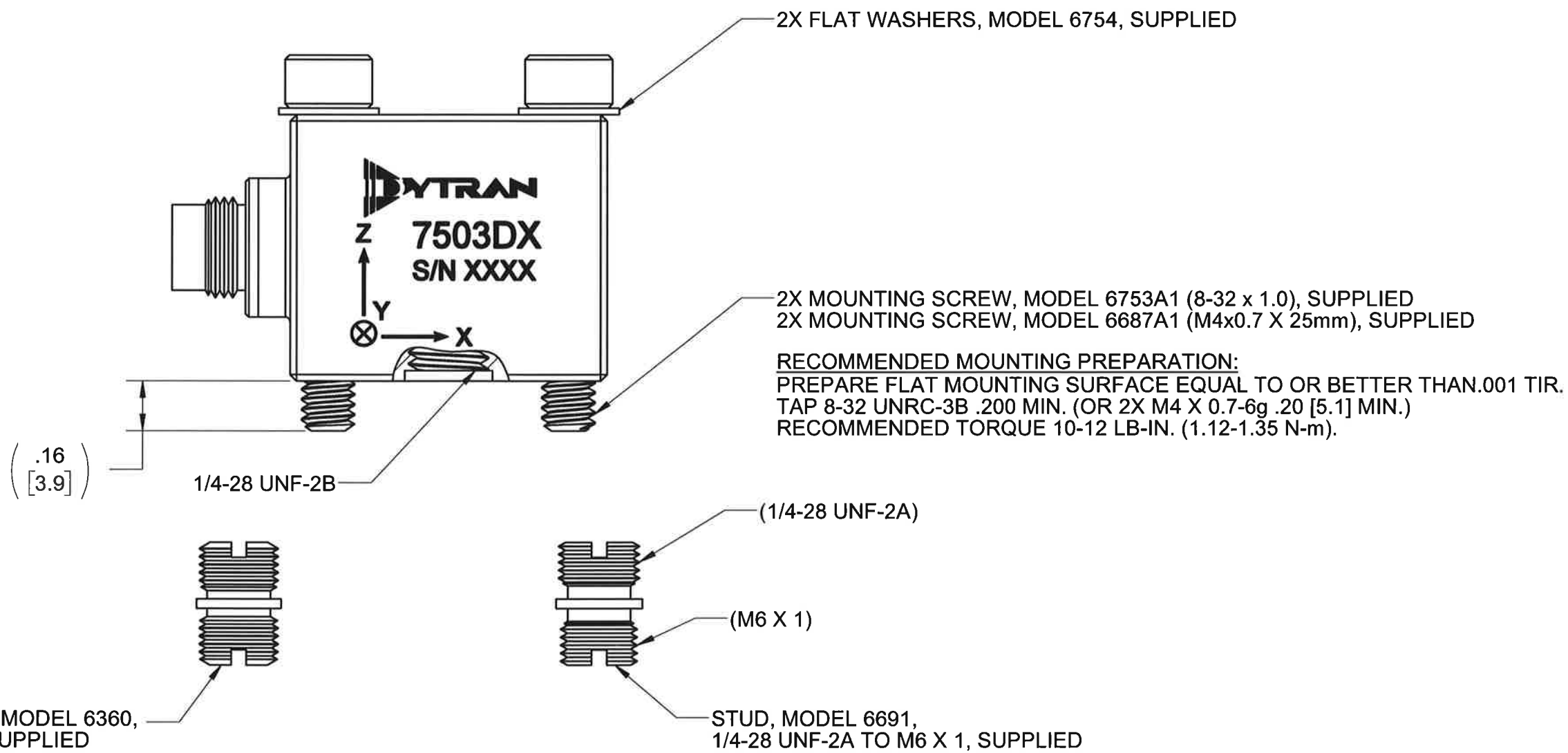
TITLE: **OUTLINE/INSTALLATION DWG, TRIAXIAL DC ACCELEROMETER, 7503D SERIES**

SIZE	CAGE CODE	DWG NO	REV
B	2W033	127-7503D	D

SCALE: 1:1 SHEET 1 OF 2

PROPRIETARY AND CONFIDENTIAL

THE INFORMATION CONTAINED IN THIS DRAWING IS THE SOLE PROPERTY OF DYTRAN INSTRUMENTS INC. ANY REPRODUCTION IN PART OR AS A WHOLE WITHOUT THE WRITTEN PERMISSION OF DYTRAN INSTRUMENTS INC. IS PROHIBITED

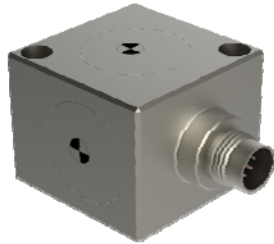


RECOMMENDED MOUNTING PREPARATION: MODEL 6360
PREPARE MOUNTING SURFACE, $\phi 1.25$ [31.2] MIN, FLAT TO .001 TIR.
TAP 1/4-28 UNF-2B $\nabla .200$ [5.1] MIN. TORQUE TO 12-15 Lb-in.

RECOMMENDED MOUNTING PREPARATION: MODEL 6691
PREPARE MOUNTING SURFACE, $\phi 1.25$ [31.2] MIN, FLAT TO .001 TIR.
TAP M6 X 1 $\nabla .200$ [5.1] MIN. TORQUE TO 12-15 Lb-in.

		MASTER	
Chatsworth, CA		ONLY IF IN RED	
TITLE: OUTLINE/INSTALLATION DWG, TRIAxIAL DC ACCELEROMETER, 7503D SERIES			
SIZE B	CAGE CODE 2W033	DWG NO 127-7503D	REV D
SCALE: 2:1		SHEET 2 OF 2	

Model Number 7503D1	PERFORMANCE SPECIFICATION	DOC NO PS7503D1
TRIAxIAL VARIABLE CAPACITANCE ACCELEROMETER		REV H, ECN 14692, 11/09/18



- VARIABLE CAPACITANCE TECHNOLOGY
- ± 4V DIFFERENTIAL OUTPUT
- HERMETICALLY SEALED
- DC RESPONSE

This family also includes:

Model	Input Range (g)	Frequency Response, ±3dB (Hz)	Sensitivity Differential, ±5% (mV/g)	Max.Shock (0.1ms) g (peak)	Noise Differential (µg/√Hz)
7503D2	±5	0-500	800	2000	12
7503D3	±10	0-1000	400	5000	18
7503D4	±25	0-1400	160	5000	25
7503D5	±50	0-2000	80	5000	50
7503D6	±100	0-2500	40	5000	100
7503D7	±200	0-3000	20	5000	200
7503D8	±400	0-4000	10	5000	400
7503D9	±5(X&Y), ±25(Z)	0-500(X&Y), 0-1400(Z)	800(X&Y), 160(Z)	2000	12(X&Y), 25(Z)
7503D10	±5(X&Y), ±50(Z)	0-500(X&Y), 0-2000(Z)	800(X&Y), 80(Z)	2000	12(X&Y), 50(Z)

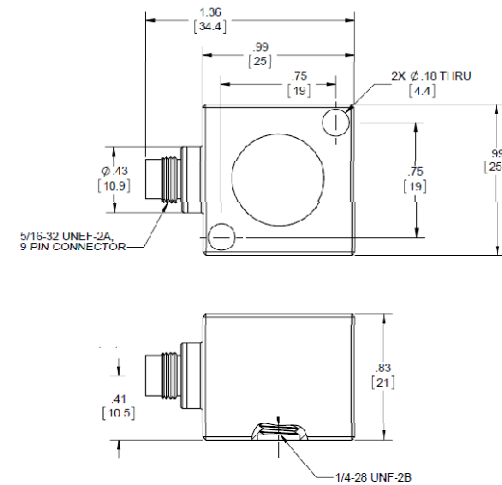
Refer to the performance specifications of the products in this family for detailed description.

Supplied Accessories:

- 1) Accredited calibration certificate (ISO 17025)
- 2) Mounting stud, Model 6360, 1/4-28 UNF-2A, Qty 1
- 3) Mounting stud, Model 6691, 1/4-28 UNF-2A to M6 X 1, Qty 1
- 4) Mounting screws, Model 6753A1, 8-32 x 1.0, Qty. 2
- 5) Mounting screws, Model 6687A1, M4x0.7 x 25mm, Qty. 2
- 6) Flat washers, Model 6754, Qty. 2

Notes:

- [1] Single ended sensitivity is half of values shown. (Ref. at 100 Hz)
- [2] -90% to +90% of Full Scale.
- [3] Over the rated temperature range.
- [4] In the interest of constant product improvement, we reserve the right to change specifications without notice.



Units on the line drawing are in inches. Refer to 127-7503D for more information.

PHYSICAL

Weight, Max
Connector Type
Material
Sensing Technology

ENGLISH		SI	
1.3	oz	38	grams
9-pin, 5/16-32 UNEF-2A		9-pin, 5/16-32 UNEF-2A	
Titanium Alloy		Titanium Alloy	
MEMS		MEMS	

PERFORMANCE

Input Range
Frequency Response (±5%)
Frequency Response (±3dB)
Resonant Frequency
Sensitivity Differential, ±5% [1]
Output Noise, Differential, Typ
Non-Linearity, Max [2]
Cross Axis Sensitivity, Max
Scale Factor Calibration Error, Max.
Zero Measured Output

ENGLISH		SI	
±2	g	±19.6	m/s ²
0 - 200	Hz	0 - 200	Hz
0 - 400	Hz	0 - 400	Hz
>3000	Hz	>3000	Hz
2000	mV/g	204	mV/m/s ²
7	µg rms/√Hz	69	µ m/s ² /√Hz
0.5	% F.S	0.5	% F.S
3	%	3	%
1	%	1	%
±50	mV	±50	mV

ENVIRONMENTAL

Maximum Mechanical Shock (0.1 ms)
Bias Temperature Shift, Max [3]
Bias Calibration Error, Max
Operating Temperature Range
Scale Factor Temperature Shift [3]
Seal

ENGLISH		SI	
±2000	gpk	±19620	m/s ² peak
111	(ppm of span)/°F	200	(ppm of span)/°C
0.5	% of span	0.5	% of span
-67 to +257	°F	-55 to +125	°C
-111 to +111	ppm/°F	-200 to +200	ppm/°C
Hermetic		Hermetic	

ELECTRICAL

Output Common Mode Voltage, Typ
Output Impedance
Operating Voltage
Operating Current (AOP & AON open), Max
Power Supply Rejection Ratio
Ground Isolation

ENGLISH		SI	
2.5	VDC	2.5	VDC
<10K	Ω	<10K	Ω
+9 to +36	VDC	+9 to +36	VDC
35	mA Dc	35	mA Dc
>65	dB	>65	dB
>30	MΩ	>30	MΩ



21592 Marilla Street, Chatsworth, California 91311 Phone: 818.700.7818 Fax: 818.700.7880 www.dytran.com
For permission to reprint this content, please contact info@dytran.com