

PROPRIETARY AND CONFIDENTIAL

THE INFORMATION CONTAINED IN THIS DRAWING IS THE SOLE PROPERTY OF DYTRAN INSTRUMENTS INC. ANY REPRODUCTION IN PART OR AS A WHOLE WITHOUT THE WRITTEN PERMISSION OF DYTRAN INSTRUMENTS INC. IS PROHIBITED

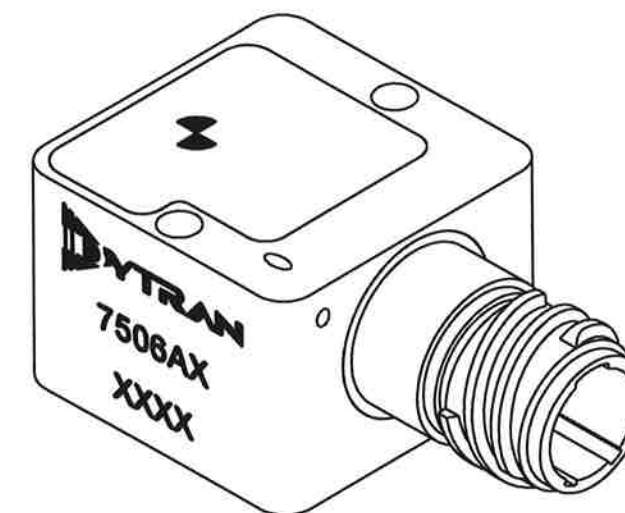
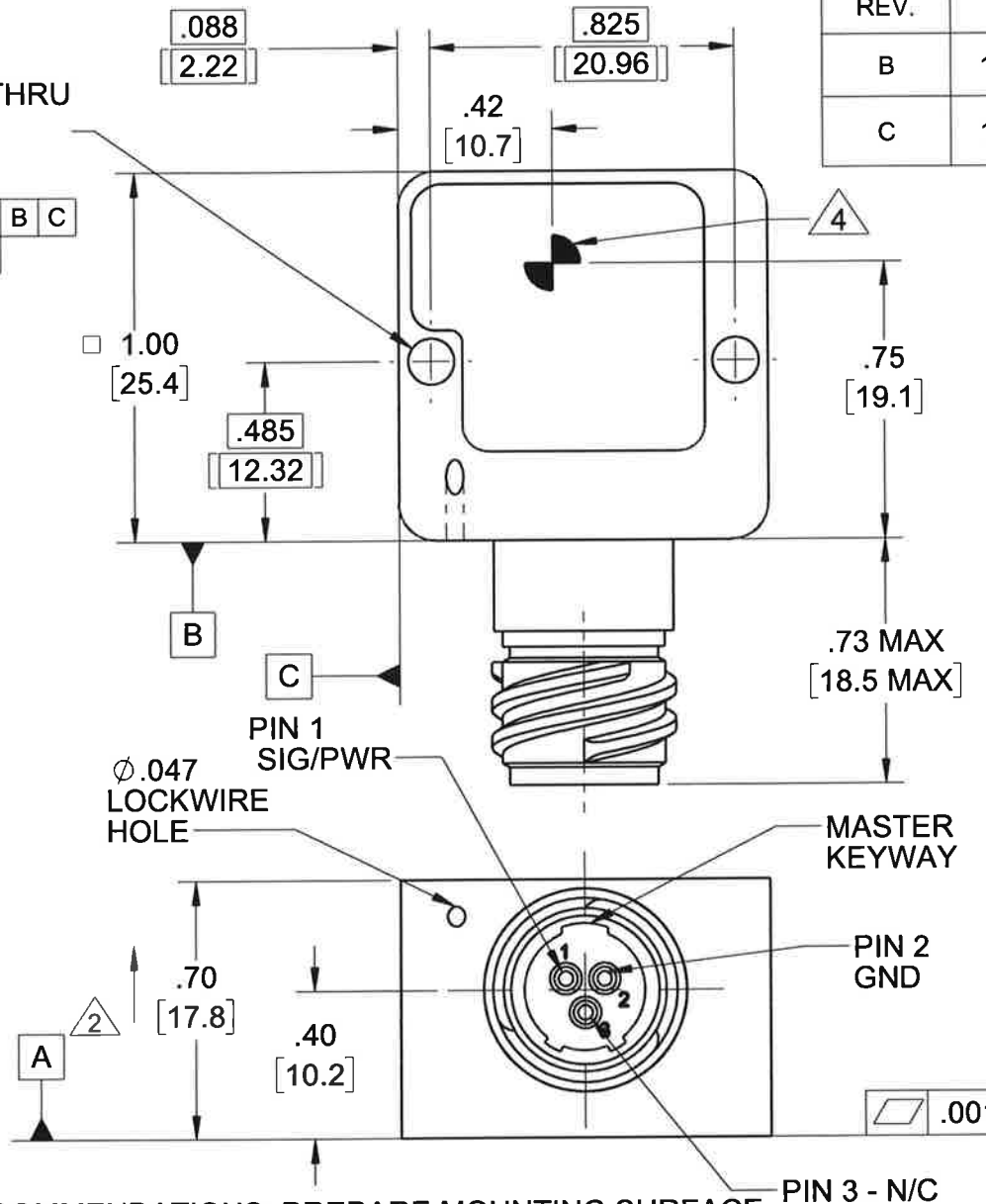
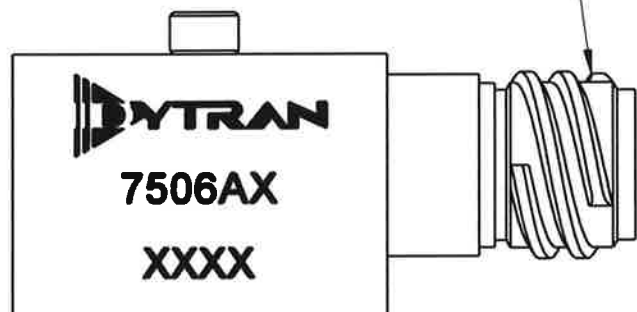
MODEL	SENSITIVITY
7506A1	100 μ A/g
7506A2	13 μ A/g

2X ϕ .125^{+0.010}/_{-.001} THRU

ϕ .020 (M)	A	B	C
ϕ .006 (M)	A		

REVISIONS					
REV.	ECN	DESCRIPTION	BY/DATE	CHK	APPR
B	11868	ADDED SUGGESTED HARDWARE AND MOUNTING PROVISION.	LA 03/31/15	DV	AS
C	12594	ADDED NOTE 6	JS 03/30/16	LA	AS

3 CONNECTOR, RECEPTACLE, 3-PIN, GLENAIR P/N: 805-006-13Z18-23PA



MOUNTING RECOMMENDATIONS: PREPARE MOUNTING SURFACE FLAT TO .001 TIR. TAP 4-40 UNC-2B ∇ .20 MIN. RECOMMENDED MOUNTING TORQUE 6-8LB-IN. FOR BEST FREQUENCY RESPONSE, MOUNTING SURFACE MUST CONTACT THE ENTIRE ACCELEROMETER MOUNTING SURFACE.

6. MINOR VOIDS, SCARS, SCRATCHES AND MOUNTING BLEMISH/WITNESS MARKS ON EXTERIOR SURFACES ARE ALLOWED DUE TO RESTRAINING AND HANDLING DURING TESTING, TRANSPORT OR PROCESSING. THESE APPEAR AS INDICATORS THAT DO NOT AFFECT FORM, FIT OR FUNCTION AS INTENDED BY DESIGN OR APPLICATION

5 SUGGESTED HARDWARE: 4-40 UNC-2A X .875, SHCS, 300 SERIES STAINLESS STEEL.

4 LOCATION OF SENSING ELEMENT

3 MATES WITH GLENAIR PLUG 805-001-16Z18-23SA AND 805-002-16Z18-23SA.

2 ARROW INDICATES ACCELERATION DIRECTION FOR POSITIVE OUTPUT

1. WEIGHT: 70 GRAMS MAX

NOTES: UNLESS OTHERWISE SPECIFIED

UNLESS OTHERWISE SPECIFIED: INTERPRET DIM & TOL PER ASME Y14.5M - 1994. REMOVE BURRS. COUNTERSINK INTERNAL THDS 90° TO MAJOR DIA. CHAM EXT THDS 45° TO MINOR DIA. THD LENGTHS AND DEPTHS ARE FOR MIN FULL THDS. DIMENSIONS APPLY AFTER FINISHING.

ALL MACHINED SURFACES. TOTAL RUNOUT WITHIN .005. BREAK SHARP EDGES .005 TO .010. MACHINED FILLET RADII .005 TO .015. WELDING SYMBOLS PER AWS A2.4. ABBREVIATIONS PER MIL-STD-12.

UNLESS OTHERWISE SPECIFIED: DIMENSIONS ARE IN INCHES. DIMENSIONS IN BRACKETS [] ARE IN MILLIMETERS TOLERANCES ARE:		
DECIMALS	METRIC	ANGLES
.XX \pm .03	X \pm 0.8	\pm 1°
.XXX \pm .010	.XX \pm 0.25	

APPROVALS		DATE
ORIG	LN	11/25/14
CHK	DV	02/02/15
APP	RT	02/02/15

DO NOT SCALE DRAWING

DYTRAN INSTRUMENTS, INC. CHATSWORTH, CA

MASTER ONLY IF IN RED

TITLE: **OUTLINE/INSTALLATION, CVLD ACCEL, 7506A1 & 7506A2**

SIZE B	CAGE CODE 2W033	DWG NO 127-7506A1	REV C
SCALE: 2:1		SHEET 1 OF 1	

Model Number 7506A1	PERFORMANCE SPECIFICATIONS			DOC NO PS7506A1
	VARIABLE CAPACITANCE ACCELEROMETER			REV C, EGN 13315, 03/01/17



- VARIABLE CAPACITANCE ACCELEROMETER
- CURRENT OUTPUT
- HERMETICALLY SEALED
- DC RESPONSE
- 4-20 mA LOOP COMPATIBLE

PHYSICAL

Weight, Max
Connector [2]
Mounting
Material

Type
Thru Holes

ENGLISH		SI	
2.5	oz	70	grams
Receptacle, 3-pin		Receptacle, 3-pin	
2 X Ø.125		2 X Ø.125	
304L		304L	

PERFORMANCE

Input Range
Frequency Response (-3dB), ± 50Hz [1][5]
Sensitivity Differential, ±10%
Output Noise, Differential, Typ
Non-Linearity, Max [4]
Transverse Sensitivity, Max
Scale Factor Calibration Error, Max
Zero Measured Output

±50	g	±490	m/s ²
0-300	Hz	0-300	Hz
100	µA/g	10.2	µA/m/s ²
50	µg rms/V Hz	491	µ m/s ² /V Hz
0.5	% F.S	0.5	% F.S
4	%	4	%
2	%	2	%
±50	mV	±50	mV

ENVIRONMENTAL

Maximum Mechanical Shock
Bias Temperature Shift ,Max [3]
Bias Calibration Error, Max
Operating Temperature Range
Scale Factor Temperature Shift [3]
Seal

5000	gpk	49050	m/s ² peak
56	(ppm of span)/°F	100	(ppm of span)/°C
0.5	% of span	0.5	% of span
-55 to +257	°F	-48 to +125	°C
-111 to 111	ppm/°F	-200 to 200	ppm/°C
Hermetic		Hermetic	

ELECTRICAL

Bias Current
Output Impedance, Nom
Operating Voltage
Operating Voltage Rise Time
Full Scale Output
Power Supply Rejection Ratio

14-15	mA	14-15	mA
400	Ω	400	Ω
10-36	VDC	10-36	VDC
<2	ms	<2	ms
±5	mA	±5	mA
>65	dB	>65	dB

This family also includes:

Model	Input Range (g)	Frequency response (Hz)	Sensitivity Differential, ±10% (µA/g)	Max.Shock (gpk)	Noise Differential (µg rms/vHz)
7506A2	± 400	0-300	13	5000	400

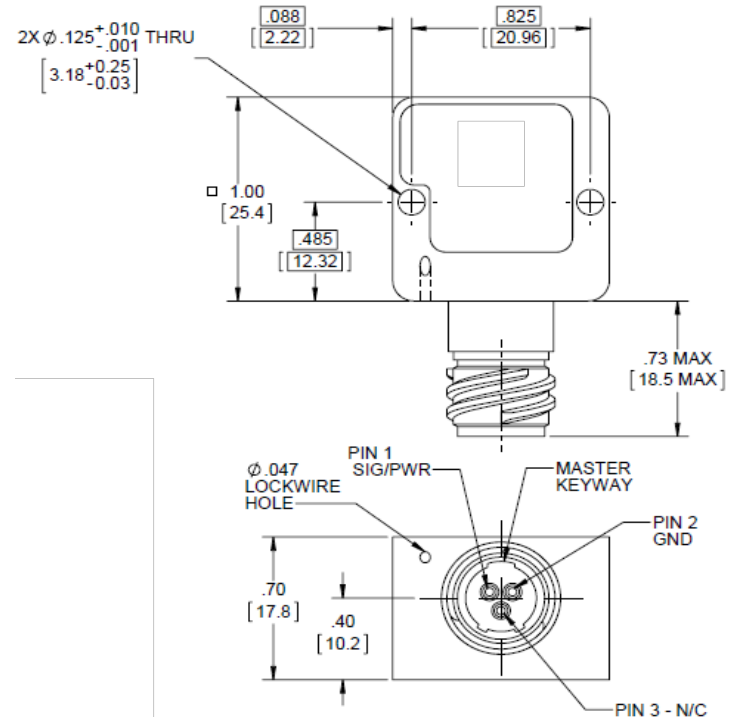
Refer to the performance specifications of the products in this family for detailed description.

Supplied Accessories:

- 1) Accredited calibration certificate (ISO 17025)

Notes:

- [1] Low pass first order filter, corner frequency at 300Hz.
- [2] Glenair P/N 805-006-13Z18-23PA. Mates with 805-001-16Z18-23SA and 805-002-16Z18-23SA
- [3] Over the rated temperature range.
- [4] -90% to +90% of Full Scale.
- [5] When measured with 50 Ohm sense resistor.



Units on the line drawing are in inches, dimensions in brackets [] are in millimeters. Refer to 127-7506A1 for more information.



21592 Marilla Street, Chatsworth, California 91311 Phone: 818.700.7818 Fax:818.700.7880 www.dytran.com
For permission to reprint this content, please contact info@dytran.com